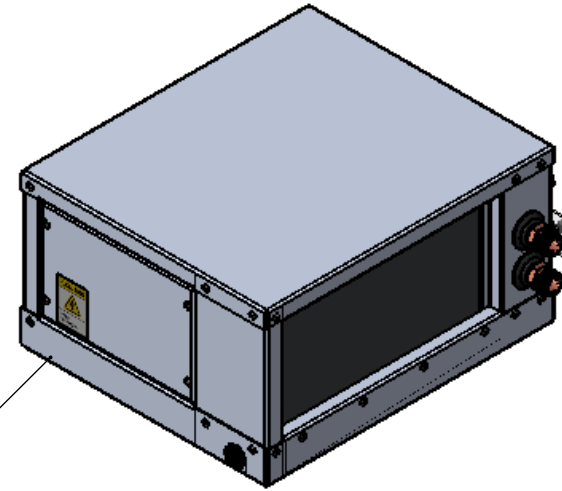


PART NUMBER	DESCRIPTION
20113-001	ASSEMBLY, CHILLED WATER, FAN COIL, FM12CWFC-LP-EN, 120V
20113-011	ASSEMBLY, CHILLED WATER, FAN COIL, FM12CWFC-LP-EN, 120V, WITH OPTIONAL HEAT
20113-101	ASSEMBLY, CHILLED WATER, FAN COIL, FM12CWFC-LP-EN, 230V
20113-111	ASSEMBLY, CHILLED WATER, FAN COIL, FM12CWFC-LP-EN, 230V, WITH OPTIONAL HEAT

FLAGSHIP MARINE, INC.				
REV.	ZONE	DESCRIPTION	DATE	ENG APPROVAL
01	-	INITIAL CHECK-IN	3/19/2014	-
02	-	60031-001 & 60031-002 WAS 60032-001 & 60032-002	5/7/2014	-



SEE SHEET 2 OF 3 FOR DIMENSIONS

PRELIMINARY - UNRELEASED

CHANGES WILL NOT BE RECORDED Monday, June 02, 2014

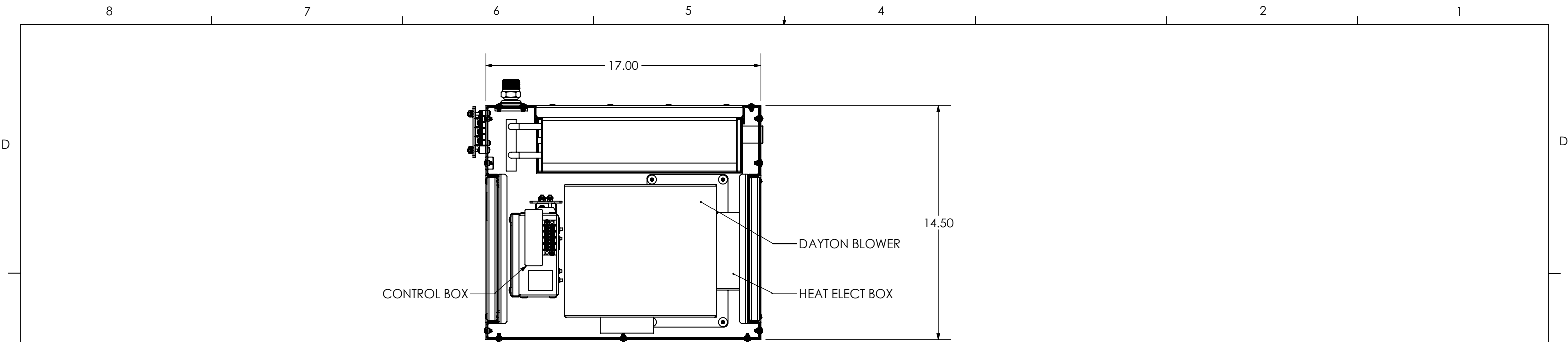
41	80037-001	WELDMENT, DRAIN PAN, CHILLED WATER, FAN COIL, FM9CWFC-LP-EN	1	1	1	1	20	60510-001	LABEL, CLEAR OVERLAY	1	1	1	1
40	70387-001	FABRICATION, PANEL, CHILLED WATER, FAN COIL, FM9CWFC-LP-EN	2	2	2	2	19	60506-001	LABEL, DYMO LABEL WRITER DUO, MISC	1	1	1	1
39	70386-001	FABRICATION, COVER, CHILLED WATER, FAN COIL, FM9CWFC-LP-EN	1	1	1	1	18	60506-001	LABEL, DYMO LABEL WRITER DUO, MISC	1	1	1	1
38	70385-001	FABRICATION, SUPPORT RAIL, CHILLED WATER, FAN COIL, FM9CWFC-LP-EN	2	2	2	2	17	60505-001	LABEL, MADE IN USA	1	1	1	1
37	70384-001	FABRICATION, PANEL, REAR, CHILLED WATER, FAN COIL, FM9CWFC-LP-EN	1	1	1	1	16	60504-001	LABEL, CAUTION HIGH VOLTAGE	2	2	2	2
36	70383-002	FABRICATION, CORNER, CHILLED WATER, FAN COIL, FM9CWFC-LP-EN	1	1	1	1	15	60500-001	LABEL, FMI MANUFACTURED BY	1	1	1	1
35	70383-001	FABRICATION, CORNER, CHILLED WATER, FAN COIL, FM9CWFC-LP-EN	1	1	1	1	14	60223-001	EVAPORATOR, 9000 MBTU, 6.50HX12.00W, X ROW	1	1	1	1
34	70382-001	FABRICATION, BASE, CHILLED WATER, FAN COIL, FM9CWFC-LP-EN	1	1	1	1	13	60139-001	GROMMET, SNAP-IN SEALING, 1/2" PIPE, FITS .82"- .91" PIPE DIA.	2	2	2	2
33	70086-001	FABRICATION, LID, ENCLOSURE, HEATER COIL, AIR CONDITIONER, FM9R	-	1	-	1	12	60132-001	GROMMET, ALL-FIT ADJUSTABLE, PUSH IN LOCKING, NYLON	2	2	2	2
32	70085-001	FABRICATION, ENCLOSURE, HEATER COIL, AIR CONDITIONER, FM9R	-	1	-	1	11	60131-001	GROMMET, 11/16" PUSH-IN LOCKING, NYLON	-	1	-	1
31	672A GP 03	TERMINAL BLOCK, 300 SERIES, KULKA 672A GP SERIES, 600V, 3 POLE	1	1	1	1	10	60062-001	THERMAL LIMIT SWITCH, 130 DEGREE	-	1	-	1
30	670A GP 04	TERMINAL BLOCK, 100 SERIES, KULKA 670A GP SERIES, 150V, 4 POLE	1	1	1	1	9	60060-001	THERMAL LIMIT SWITCH, 110 DEGREE	-	1	-	1
29	60652-001	SCREW, #8-32 X 1" - #2 DRIVE TRUSS HEAD PHILLIPS, 18-8 SS	8	8	8	8	8	60031-002	HEATER ELEMENT, COIL, 45"L, 8MM, 1700W, 240VAC, DBL END THRD BULKHEAD	-	-	-	1
28	60649-001	SCREW, #8-32 X 3/8" - #2 DRIVE TRUSS HEAD PHILLIPS, 18-8 SS	12	12	12	12	7	60031-001	HEATER ELEMENT, COIL, 45"L, 8MM, 1700W, 120VAC, DBL END THRD BULKHEAD	-	1	-	-
27	60636-001	WASHER, REGULAR FLAT TYPE B, #10 X .203"ID X .562"OD X .04"THK, 410 SS	6	6	6	6	6	60024-001	BLOWER, PSC, SHADED POLE, 1TDT1	-	-	1	1
26	60581-001	#8-32 X 5/8" PHMS 18-8 SS	2	2	2	2	5	60017-001	BLOWER, PSC, SHADED POLE, 1TDR9	1	1	-	-
25	60572-001	#8-32 X 1 1/4" PHMS 18-8 SS	2	2	2	2	4	5520K127	SOLDER-JOINT COPEER TUBE FITTING, REDUCING ADAPTER, 5/8" TUBE, 3/4" NPT	2	2	2	2
24	60533-001	RIVET, 3/16" DIA. .062-.125" GRIP RANGE, SSB6-2S	34	34	34	34	3	50001-001	DETAIL, COVER, PROTECTIVE, TERMINAL BLOCK, 3 POS	1	1	1	1
23	60526-001	#8-32 MACHINE SCREW NUT SS	4	4	4	4	2	20017-002	ASSEMBLY, CONTROL BOX, CHILLED WATER, FAN COIL, WITH OPTIONAL HEAT, 9K-36K UNIVERSAL	-	1	-	1
22	60521-001	#8-32 X 1/2" PHMS 18-8 SS	2	2	2	2	1	20017-001	ASSEMBLY, CONTROL BOX, CHILLED WATER, FAN COIL, 9K-36K UNIVERSAL	1	-	1	-
21	60517-001	#8-32 x 3/8" PHMS 18-8 SS	-	4	-	4							

ITEM NO.	PART NUMBER	DESCRIPTION	20113-001/QTY.	20113-011/QTY.	20113-101/QTY.	20113-111/QTY.	ITEM NO.	PART NUMBER	DESCRIPTION	20113-001/QTY.	20113-011/QTY.	20113-101/QTY.	20113-111/QTY.
----------	-------------	-------------	----------------	----------------	----------------	----------------	----------	-------------	-------------	----------------	----------------	----------------	----------------

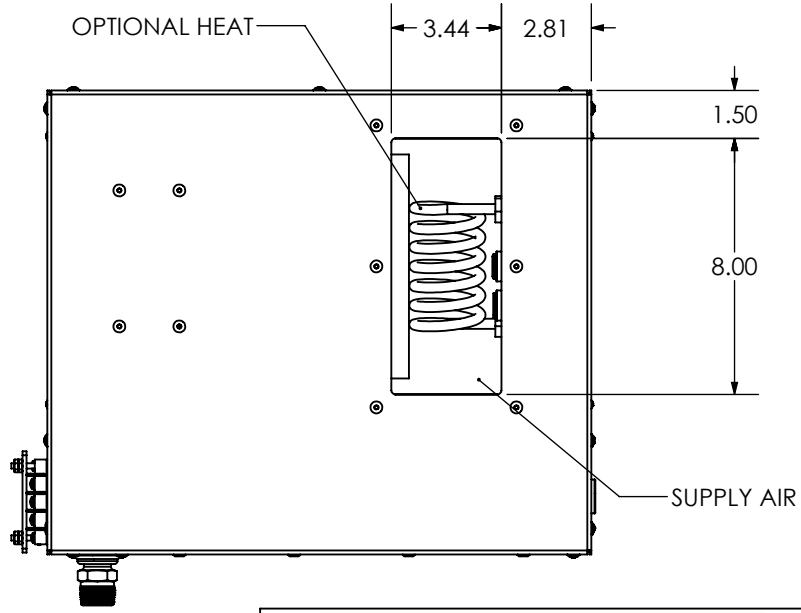
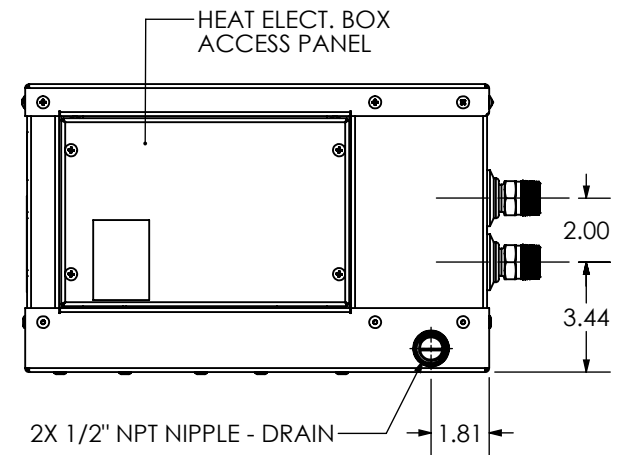
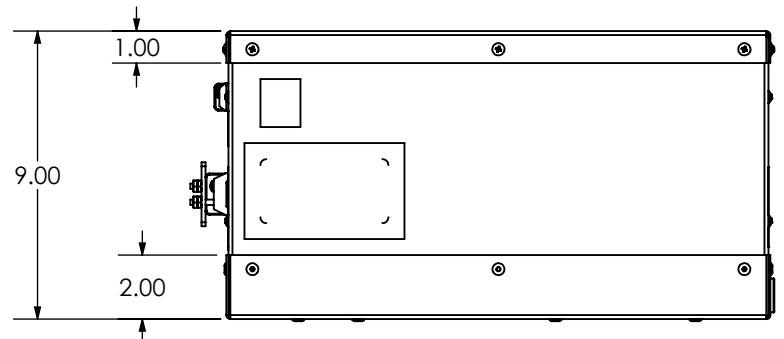
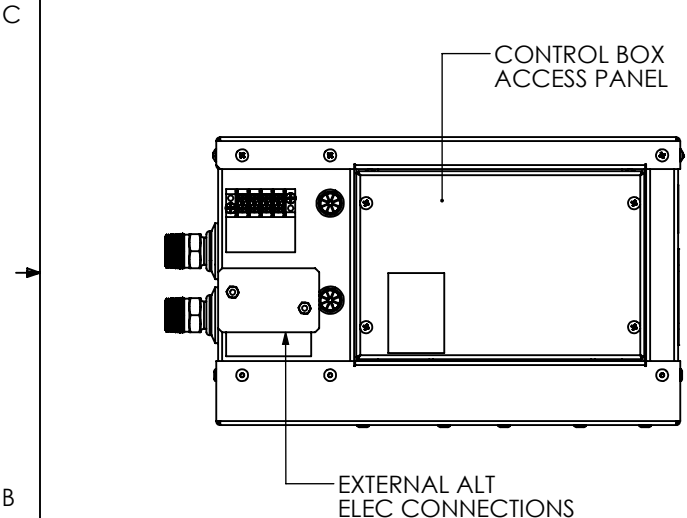
FLAGSHIP MARINE, INC. BILL OF MATERIALS

FLAGSHIP MARINE, INC. BILL OF MATERIALS

<p>2. PREFERRED LIMITS AND FITS PER ANSI B4.1 (INCHES).</p> <p>1. DIMENSIONING & TOLERANCING PER ASME Y14.5M.</p> <p>NOTES:</p>	<p>FLAGSHIP MARINE, INC. 2427 SE DIXIE HIGHWAY STUART FLORIDA 34996 USA (772) 283-1609 (800) 316-6426 FAX (772) 283-4611</p> <p>PROPRIETARY AND CONFIDENTIAL</p> <p>THIS DOCUMENT CONTAINS INFORMATION PROPRIETARY TO FLAGSHIP MARINE, INC. NO PART MAY BE REPRODUCED, USED IN ANY FORM, OR STORED ELECTRONICALLY WITHOUT THE WRITTEN PERMISSION OF FLAGSHIP MARINE, INC.</p>	UNLESS OTHERWISE SPECIFIED:	NAME	DATE	<p>TITLE: ASSEMBLY, CHILLED WATER, FAN COIL, FM12CWFC-LP-EN</p> <p>PART NO. 20113-XX1</p> <p>SIZE DWG. NO. B FM20113 REV 02</p> <p>IMECO PART NO. TBD</p> <p>SCALE: 1:8 WGT: 81.69 LBS SHEET 1 OF 2</p>	
		DIMENSIONS ARE IN INCHES	DRAWN	SWC		3/19/2014
		TOLERANCES:	CHECKED	TCM		-
		FRACTIONS ± 1/32	ENG APPR.	TCM		-
ANG: MACH ± 0°30' BEND ± 2°	MFG APPR.	TCM	-			
DECIMALS .XX ± .01	Q.A.	EAS	-			
.XXX ± .005	PERP	±	.003/IN			
HOLE Ø .XX ± .005	STRAIGHTNESS	∓	.005/IN			
INTERPRET GEOMETRIC TOLERANCING PER: ASME Y14.5M	FLATNESS	∓	.005/IN			
MATERIAL	THREADS:					
FINISH	EXTERNAL - CLASS 2A					
NEXT ASSY	INTERNAL - CLASS 2B					
USED ON	MACHINED SURFACES: ✓ U.O.S					
APPLICATION	DO NOT SCALE DRAWING					



SHOWN WITH COVER REMOVED FOR CLAIRITY



NOTES:
 2. PREFERRED LIMITS AND FITS PER ANSI B4.1 (INCHES).
 1. DIMENSIONING & TOLERANCING PER ASME Y14.5M.

<p>2427 SE DIXIE HIGHWAY STUART FLORIDA 34996 USA (772) 283-1609 (800) 316-6426 FAX (772) 283-4611</p>	DRAWN - CHECKED - ENG APPR. -	SIZE B	DRAWING NO. FM20112	REV 02
	WGT: 81.69 LBS	SCALE: 1:6	SHEET 2 OF 2	