

PART NUMBER	DESCRIPTION	FLAGSHIP MARINE, INC.				
21099-001	AIR CONDITIONER, FM36AC, SELF-CONTAINED, AIR COOLED, 230/1/60 (COOL ONLY)	REV.	ZONE	DESCRIPTION	DATE	ENG APPROVAL
21099-002	AIR CONDITIONER, FM36AC, SELF-CONTAINED, AIR COOLED, 230/3/60 (COOL ONLY)	04	-	MULTIPLE UPDATES INCLUDING COMPRESSOR CHANGE	9/19/2018	-
21099-003	AIR CONDITIONER, FM36AC, SELF-CONTAINED, AIR COOLED, 460/3/60 (COOL ONLY)	05	-	FILTER DRIER PLACEMENT	10/10/2018	-
21099-011	AIR CONDITIONER, FM36AC, SELF-CONTAINED, AIR COOLED, 230/1/60 4KW HEAT	06	-	FAN EXCHANGE	10/12/2018	-
21099-012	AIR CONDITIONER, FM36AC, SELF-CONTAINED, AIR COOLED, 230/3/60 4KW HEAT					
21099-013	AIR CONDITIONER, FM36AC, SELF-CONTAINED, AIR COOLED, 460/3/60 4KW HEAT					

D

79	-	1	1	-	1	1	81163-002	WELDMNT, BASE, SELF CONTAINED, AIR COOLED, 3PH, FM36AC
78	1	-	-	1	-	-	81163-001	WELDMNT, BASE, SELF CONTAINED, AIR COOLED, 1PH, FM36AC
77	1	1	1	1	1	1	71532-001	FABRICATION, PANEL, BIVECTOR, CONDENSOR, SELF CONTAINED, AIR COOLED, FM36AC
76	1	1	1	1	1	1	71531-001	FABRICATION, PLENUM, RETURN AIR, SELF CONTAINED, AIR COOLED, FM36AC
75	1	1	1	1	1	1	71530-001	FABRICATION, PLENUM, SUPPLY AIR, SELF CONTAINED, AIR COOLED, FM36AC
74	1	1	1	1	1	1	71529-001	FABRICATION, FLUE, BLOWER, SELF CONTAINED, AIR COOLED, FM24AC
73	2	2	2	2	2	2	71528-004	FABRICATION, PANEL, ACCESS, SELF CONTAINED, AIR COOLED, FM36AC
72	2	2	2	2	2	2	71528-003	FABRICATION, PANEL, ACCESS, SELF CONTAINED, AIR COOLED, FM36AC
71	1	1	1	1	1	1	71528-002	FABRICATION, PANEL, CONDENSING FAN, SELF CONTAINED, AIR COOLED, FM36AC
70	1	1	1	1	1	1	71528-001	FABRICATION, PANEL, BLOWER, SELF CONTAINED, AIR COOLED, FM36AC
69	1	1	1	1	1	1	71527-001	FABRICATION, PANEL, BIVECTOR, SELF CONTAINED, AIR COOLED, FM36AC
68	1	1	1	1	1	1	71526-004	FABRICATION, JOIST, CONDENSING FAN, SELF CONTAINED, AIR COOLED, FM36AC
67	3	3	3	3	3	3	71526-003	FABRICATION, JOIST, CONTROL BOX, SELF CONTAINED, AIR COOLED, FM36AC
66	2	2	2	2	2	2	71526-002	FABRICATION, JOIST, ACCESS LOWER, SELF CONTAINED, AIR COOLED, FM36AC
65	2	2	2	2	2	2	71526-001	FABRICATION, JOIST, ACCESS UPPER, SELF CONTAINED, AIR COOLED, FM36AC
64	1	1	1	1	1	1	71525-002	FABRICATION, PILLAR, BIVECTOR, SELF CONTAINED, AIR COOLED, FM24AC
63	1	1	1	1	1	1	71525-001	FABRICATION, PILLAR, BIVECTOR, SELF CONTAINED, AIR COOLED, FM24AC
62	1	1	1	1	1	1	71524-004	FABRICATION, PILLAR, CORNER, BLOWER RIGHT, SELF CONTAINED, AIR COOLED, FM24AC
61	1	1	1	1	1	1	71524-003	FABRICATION, PILLAR, CORNER, BLOWER LEFT, SELF CONTAINED, AIR COOLED, FM24AC
60	1	1	1	1	1	1	71524-002	FABRICATION, PILLAR, CORNER, ELECTRICAL I/O, SELF CONTAINED, AIR COOLED, FM24AC
59	1	1	1	1	1	1	71524-001	FABRICATION, PILLAR, CORNER, CHARGING PORTS, SELF CONTAINED, AIR COOLED, FM24AC
58	1	1	1	1	1	1	71523-001	FABRICATION, LID, SELF CONTAINED, AIR COOLED, FM36AC
57	1	1	1	1	1	1	71180-001	TAG, THERMOSTAT CONNECTIONS, ANODIZED, ETCHED
56	1	1	1	1	1	1	71000-001	TAG, PLATE, SERIAL NUMBER, ANODIZED, ETCHED
55	1	1	1	1	1	1	70997-001	TAG, LOW PRESSURE, ANODIZED, ETCHED
54	1	1	1	1	1	1	70996-001	TAG, HIGH PRESSURE, ANODIZED, ETCHED
53	1	1	1	1	1	1	70992-001	TAG, HIGH PRESSURE FAULT, ANODIZED, ETCHED
52	1	1	1	1	1	1	70984-001	TAG, POWER CONNECTIONS, ANODIZED, ETCHED
51	1	1	1	1	1	1	70657-002	FABRICATION, STRAP, FILTER DRIER, CHILLER, FM360CW
50	1	1	1	1	1	1	70170-001	DETAIL, PLATE, DECORATIVE, FLAGSHIP MARINE
49	A/R	A/R	A/R	A/R	A/R	A/R	61002-001	WEATHER STRIP, NEOPRENE/EPDM/SBR FOAM, ADHESIVE BACK, 3/16" THICK, 3/4" WIDE
48	A/R	A/R	A/R	A/R	A/R	A/R	61000-001	INSULATION, 1/8" FOAM PEEL AND STICK
47	A/R	A/R	A/R	A/R	A/R	A/R	60998-001	TAPE, CORK ROLL, 30"x2"
46	2	2	2	2	2	2	60687-001	GROMMET, 1/2" DIA x 1/16" PANEL x 3/8" ID, SBR RUBBER
45	32	32	32	32	32	32	60652-001	SCREW, #8-32 X 1" - #2 DRIVE TRUSS HEAD PHILLIPS, 18-8 SS
44	45	45	45	45	45	45	60648-001	SCREW, #8-32 X 3/8" - #2 DRIVE TRUSS HEAD PHILLIPS, 316 SS
43	4	4	4	4	4	4	60644-001	BOLT, 5/16 X 3/4, HHCS, 18-8 SS
42	8	8	8	8	8	8	60643-001	WASHER, 5/16" USS FLAT, 18-8 SS
41	12	12	12	12	12	12	60636-001	WASHER, REGULAR FLAT TYPE B, #10 X .203"ID x .562"OD X .04"THK, 410 SS

C

B

A

40	4	4	4	4	4	4	60539-001	NUT, 3/8-16 NYLON LOCK NUT 18-8 SS
39	4	4	4	4	4	4	60534-001	WASHER, 3/8" X 1.25", FLAT
38	147	147	147	147	147	147	60531-001	RIVET, 3/16" DIA. .126-.250" GRIP RANGE TS, SS
37	8	8	8	8	8	8	60527-001	SELF TAP, #8 X 1/2 HWH SELF DRILL 410 SS
36	45	45	45	47	47	47	60527-001	SELF TAP, #8 X 1/2 HWH SELF DRILL 18-8 SS
35	4	4	4	4	4	4	60515-001	NUT, 5/16-18, 18-8 SST, NYLON INSERT LOCKNUT
34	1	1	1	1	1	1	60504-001	LABEL, CAUTION, HIGH VOLTAGE, 2.5" X 1.5"
33	1	1	1	1	1	1	60500-001	LABEL, FMI MANUFACTURED BY
32	1	1	1	1	1	1	60471-001	LED, RED INIDICATOR LIGHT, PRIMARY
31	-	1	1	-	1	1	60342-001	MOTOR, .75HP, 1140RPM, 3PH, 60HZ, 143T, 3428M, TEFC, 7/8" SHAFT
30	1	1	1	1	1	1	60329-001	REFRIGERANT, NU-22B
29	1	-	-	1	-	-	60302-001	MOTOR, .75HP, 1140RPM, 1PH, 60HZ, 143T, 3528LC, TEFC, 7/8" SHAFT
28	-	1	-	-	1	-	60287-001	COMPRESSOR, SCROLL, 230/3/60, ZR38, R22, 38K BTU
27	-	-	1	-	-	1	60272-001	COMPRESSOR, SCROLL, 460/3/60, ZR38, R22, 38K BTU
26	1	-	-	1	-	-	60260-001	COMPRESSOR, SCROLL, 230/1/60, 36K BTU AIR-COOLED UNITS, 55x370 RUN CAP, R22, ZR38
25	3	3	3	3	3	3	60216-001	EVAPORATOR, 36000 MBTU, 17.50HX18.13W, 3 ROW
24	1	1	1	1	1	1	60156-001	GRILL, 3/8" WIRE SPACE, 4" CNTR PIATE, 11ga (.120) SPIRAL, (8).187 SPOKES 304SS, MT HOLES #8
23	8	8	8	8	8	8	60131-001	GROMMET, 11/16" PUSH-IN LOCKING, NYLON
22	1	1	1	1	1	1	60122-001	FILTER DRIER, 24K-36K, 3/8", LIQUID LINE, TYPE LLD163S
21	1	1	1	1	1	1	60076-001	FAN, 2995CFM, 0.4H2O, 3/4HP, 22/4-4/P5ZR/30/PA/0.875/0.187/BR/JA
20	20	20	20	21	20	20	60070-001	WASHER, .385 ID X 1.406 OD X .25 THK, 60 DURO EPDM BLACK
19	1	1	1	1	1	1	60069-001	SWITCH, PRESSURE, OPEN (400) CLOSE (300)
18	-	-	-	1	1	1	60062-001	THERMAL LIMIT SWITCH, 130 DEGREE, NC
17	-	-	-	-	-	1	60035-002	HEATER ELEMENT, COIL, 74"L, 8MM, 4000W, 460VAC, DBL END THRD BULKHEAD
16	-	-	-	1	1	-	60035-001	HEATER ELEMENT, COIL, 74"L, 8MM, 4000W, 230VAC, DBL END THRD BULKHEAD
15	1	1	1	1	1	1	60012-001	BLOWER, 1202 CFM, 20/24/36, 115/230v, 1TDU2
14	3	3	3	3	3	3	40102-001	VALVE, 1/4" STANDARD SERVICE, CAP W/RUBBER O-RING
13	1	1	1	1	1	1	40096-001	VALVE, EXPANSION, BALANCED PORT, 2-5 1/2-TON, R22, SBQBODY3X4
12	1	1	1	1	1	1	40095-001	VALVE, EXPANSION, CHARGE ELEMENT AND CAP TUBE, 2-6 TON, KT43VGA
11	1	1	1	1	1	1	40080-001	ORIFICE, CARTRIDGE, BALANCED PORT VALVES, WHITE, 3-1/4 - 5-1/2 TON (R22), 4-6 TON (R410a), BQC-C
10	A/R	A/R	A/R	A/R	A/R	A/R	30230-001	LOOM, SPLIT-TYPE, BLUE TRACER, 1/2', 1100', M125-0120-A
9	4	4	4	4	4	4	30139-002	CONNECTOR, STRAIGHT, 1/2" PVC LIQUID TIGHT
8	-	-	1	-	-	1	30119-001	TRANSFORMER, 1 KVA PRI: 240 X 480 SEC: 120/240 60HZ
7	-	1	1	-	1	1	30034-002	WIRING, SELF-CONTAINED, AIR-COOLED, 230/460/3/60, FM24SSAC-FM72SSAC
6	1	-	-	1	-	-	30034-001	WIRING, SELF-CONTAINED, AIR-COOLED, 230/1/60, FM24SSAC-FM72SSAC
5	2	2	2	2	2	2	20800-002	ASSEMBLY, LOUVER PANEL, SELF CONTAINED, AIR COOLED, 36K BTU
4	-	-	-	-	1	1	20035-012	CONTROL ENCLOSURE, CDU/SC, AIR COOLED, SINGLE COMPRESSOR, 230/460/3/60, OPTIONAL HEAT
3	-	-	-	1	-	-	20035-011	CONTROL ENCLOSURE, CDU/SC, AIR COOLED, SINGLE COMPRESSOR, 230/1/60, OPTIONAL HEAT
2	-	1	1	-	-	-	20035-002	CONTROL ENCLOSURE, CDU/SC, AIR COOLED, SINGLE COMPRESSOR, 230/460/3/60
1	1	-	-	-	-	-	20035-001	CONTROL ENCLOSURE, CDU/SC, AIR COOLED, SINGLE COMPRESSOR, 230/1/60

D

C

B

A

NOTES:  
 2. PREFERRED LIMITS AND FITS PER ANSI B4.1 (INCHES).  
 1. DIMENSIONING & TOLERANCING PER ASME Y14.5M.



**FLAGSHIP MARINE, INC.**  
 2427 SE DIXIE HIGHWAY  
 STUART | FLORIDA | 34996 | USA  
 (772) 283-1609 | (800) 316-6426  
 FAX (772) 283-4611

**PROPRIETARY AND CONFIDENTIAL**

THIS DOCUMENT CONTAINS INFORMATION PROPRIETARY TO FLAGSHIP MARINE, INC. NO PART MAY BE REPRODUCED, USED IN ANY FORM, OR STORED ELECTRONICALLY WITHOUT THE WRITTEN PERMISSION OF FLAGSHIP MARINE, INC.

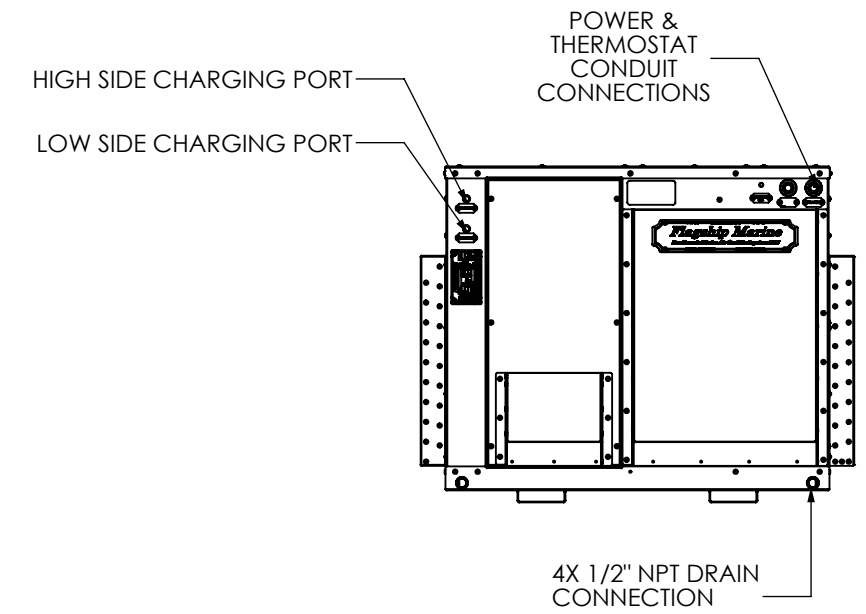
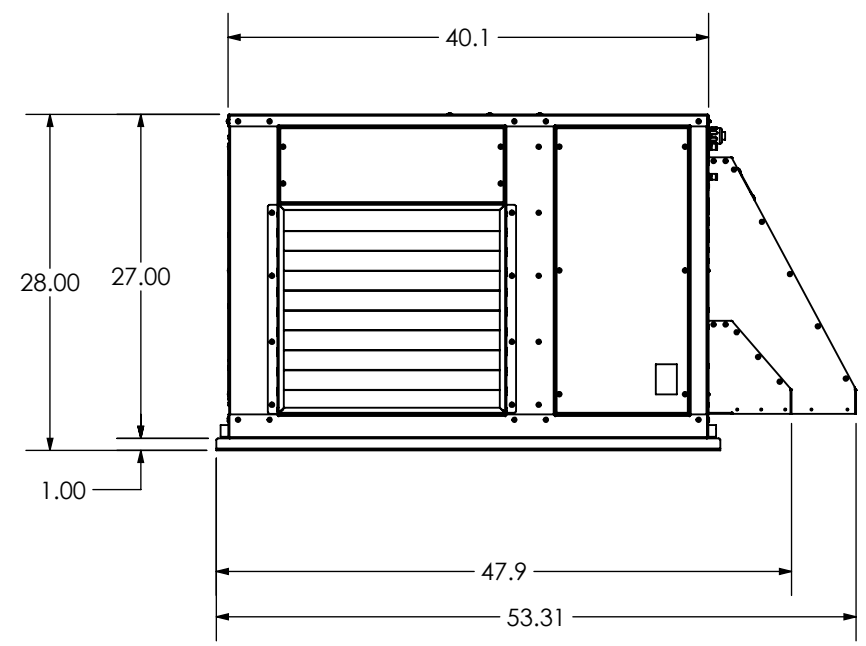
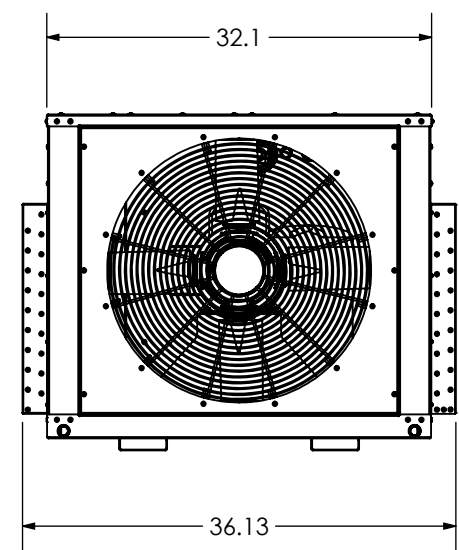
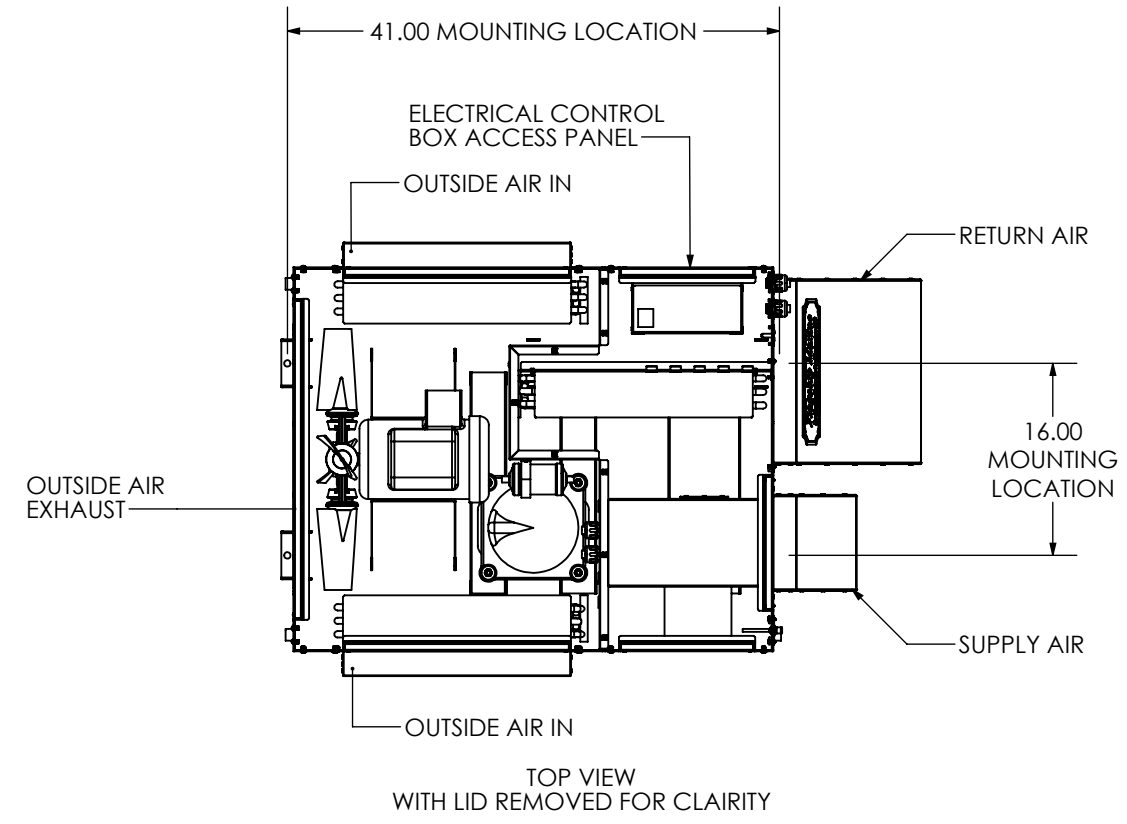
UNLESS OTHERWISE SPECIFIED:		NAME	DATE	TITLE: <b>ASSEMBLY, SELF CONTAINED, AIR COOLED, FM36AC</b>	
DIMENSIONS ARE IN INCHES		DRAWN	SWC		PART NO. <b>21099-0XX</b>
TOLERANCES:		CHECKED	TCM		
FRACTIONS ± 1/32		ENG APPR.	TCM		
ANG: MACH ± 0°30' BEND ± 2°		MFG APPR.	TCM		
DECIMALS .XX ± .01		Q.A.	EAS	SIZE <b>B</b>	
.XXX ± .005		PERP ± .003/IN			DWG. NO. <b>FM21099</b>
HOLE Ø .XX ± .005		STRAIGHTNESS ± .005/IN			
INTERPRET GEOMETRIC TOLERANCING PER: ASME Y14.5M		FLATNESS ± .005/IN			
MATERIAL		THREADS: EXTERNAL - CLASS 2A INTERNAL - CLASS 2B		REV <b>06</b>	
FINISH		MACHINED SURFACES: ✓ U.O.S			
NEXT ASSY		USED ON			
APPLICATION		DO NOT SCALE DRAWING			


SCALE: 1:16 | WGT: 708.64 LBS | SHEET 1 OF 2

8 7 6 5 4 2 1

D  
C  
B  
A

D  
C  
B  
A



 2427 SE DIXIE HIGHWAY   STUART   FLORIDA   34996   USA (772) 283-1609   (800) 316-6426 FAX (772) 283-4611	DRAWN -	SIZE B	DRAWING NO. FM21099	REV 06
	CHECKED -	WGT: 708.64 LBS	SCALE: 1:16	SHEET 2 OF 2
	ENG APPR. -			

8 7 6 5 4 3 2 1