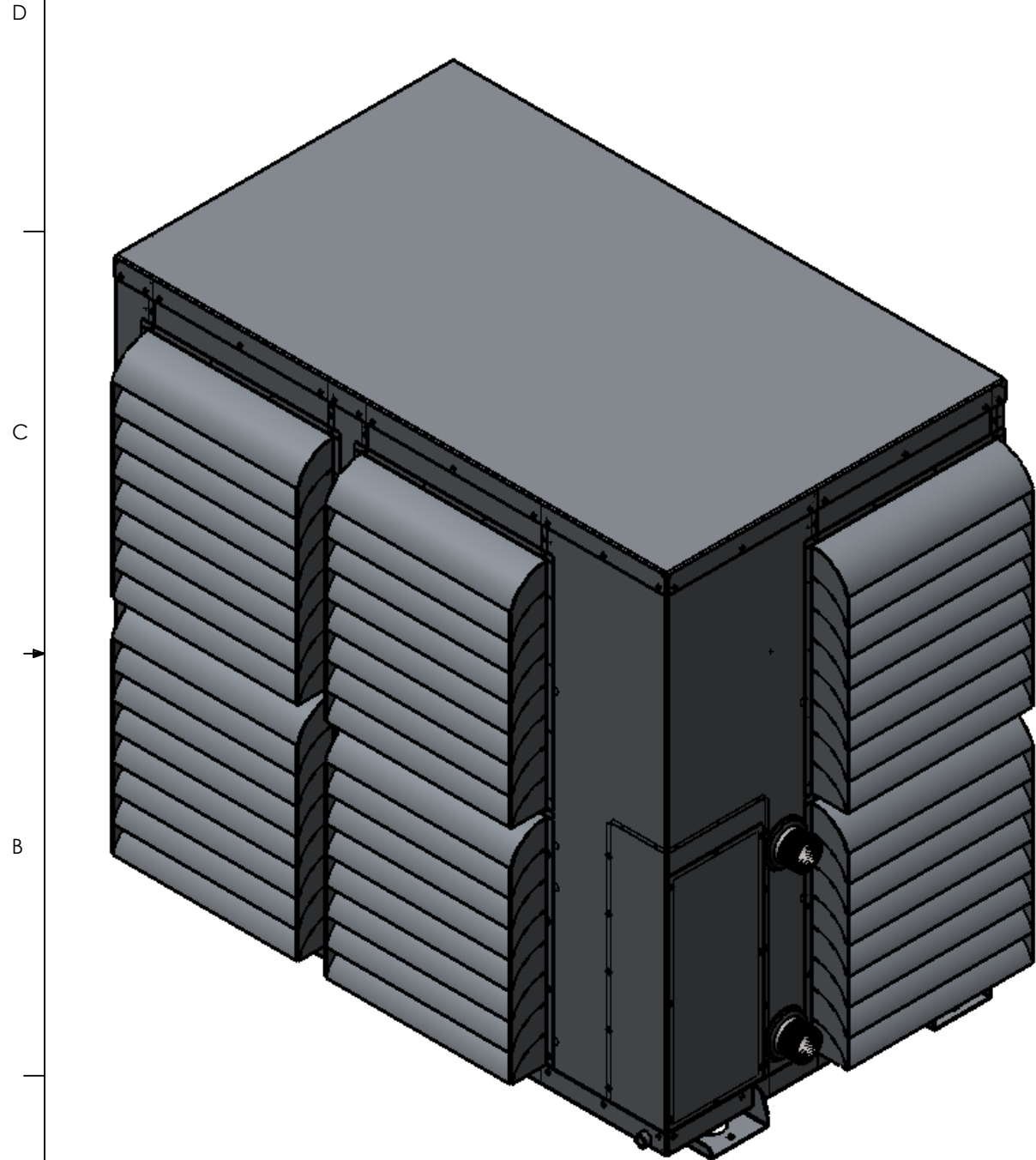


PART NUMBER	DESCRIPTION
20204-001	ASSEMBLY, AIR COOLED, CHILLER, FM240CWAC, 240V

FLAGSHIP MARINE, INC.				
REV.	ZONE	DESCRIPTION	DATE	ENG APPROVAL
01	-	INITIAL CHECK-IN	6/27/2012	-



38	4813K131	PIPE, 2 1/2" NPT X 18"L, 304 SS	2
37	4464K147		2
36	70791-001	FABRICATION, CAP, CORNER, ELECTRICAL CLOSEOUT, AIR COOLED, CHILLER, FM120-V/180CWAC	1
35	70792-001	FABRICATION, CAP, BIVECTOR, AIR COOLED, CHILLER, FM120-V/180CWAC	2
34	70805-002	FABRICATION, PANEL, FIXED, AIR COOLED, CHILLER, FM240CWAC	2
33	70786-002	FABRICATION, PANEL, BIVECTOR, AIR COOLED, CHILLER, FM120-V/180CWAC	2
32	63595K41	GROMMET, SNAP-IN SEALING, 2.50" PIPE, FITS 2.87" TO 3.00" PIPE DIA.	2
31	70705-001	FABRICATION, BRACKET, EVAPORATOR, CHILLER, FM360CW	1
30	FM60208	EVAPORATOR, CHILLED WATER, FM360CW	1
29	60272-001	COMPRESSOR, SCROLL, 1PH, 60 Hz, 208V	2
28	60074-001	FAN, 5855CFM, 0.57inH2O, 1.18HP, 22/5-10/P3HR/40/PA/0.875/0.187/BR/JA	2
27	60305-001	MOTOR, 3HP, 1760RPM, 3PH, 60HZ, 182T, 3631M, TEFC, F1	2
26	70785-032	FABRICATION, PANEL, CORNER, INTAKE, AIR COOLED, CHILLER, FM120CWAC-V	1
25	70785-011	FABRICATION, PANEL, CORNER, INTAKE, AIR COOLED, CHILLER, FM120CWAC-V	1
24	70788-002	FABRICATION, PANEL, CLOSEOUT, AIR COOLED, CHILLER, FM120CWAC-V	5
23	80160-002	WELDMENT, SHROUD PANEL, FAN, AIR COOLED, CHILLER, FM120CWAC-V	1
22	70784-012	FABRICATION, PANEL, CORNER, EXHAUST, AIR COOLED, CHILLER, FM120CWAC-V	1
21	70784-011	FABRICATION, PANEL, CORNER, EXHAUST, AIR COOLED, CHILLER, FM120CWAC-V	1
20	70801-001	FABRICATION, LID, AIR COOLED, CHILLER, FM120-H/240/360CWAC	1
19	80190-002	WELDMENT, BASE, AIR COOLED, CHILLER, FM240/FM360CWAC	1
18	V6-414080-170	REVERSING VALVE LESS COIL, V6-414080-170, RANCO	1
17	HPC-104-S	FILTER DRIER, REVERSIBLE, LIQUID LINE, TYPE HPC-104-S, CATCH-ALL	1
16	8C375MXPS	#8-32 x 3/8" PHMS 18-8 SS	12
15	60156-001	GRILL, 3/8" WIRE SPACE, 4" CNTR PLATE, 11ga (.120) SPIRAL, (8).187 SPOKES 304SS, MT HOLES #8	2
14	80065-001	WELDMENT, PANEL, LOUVER, SELF CONTAINED, AIR COOLED, UNIVERSAL	10
13	20016-011	ASSEMBLY, CONTROL BOX, SELF CONTAINED, A/C, SINGLE PHASE, WITH OPTIONAL HEAT, 48K-120K UNIVERSAL	1
12	70787-001	FABRICATION, PANEL, ACCESS, AIR COOLED, CHILLER, FM60/120-V/180CWAC	1
11	60533-001	RIVET, 3/16" DIA. .062-.125" GRIP RANGE, SSB6-2S	80
10	60131-001	GROMMET, 11/16" PUSH-IN LOCKING, NYLON	8
9	70789-001	FABRICATION, PANEL, CORNER, ELECTRICAL CLOSEOUT, AIR COOLED, CHILLER, FM60/120-V/180CWAC	1
8	60071-001	STANDOFF, .385 ID X 1.406 OD X 1.00 THK, 70 DURO EPDM BLACK	8
7	60070-001	WASHER, .385 ID X 1.406 OD X .25 THK, 60 DURO EPDM BLACK	8
6	60216-001	EVAPORATOR, 36000 MBTU, 17.50HX18.13W, 4 ROW	10
5	37NWLOS	3/8 LOCK WASHER SS	9
4	37N125WFES	3/8 X 1-1/4 FENDER WASHER SS	9
3	37CNFHS	3/8 HEX FINISH NUT SS	9
2	20014-001	ASSEMBLY, ENCLOSURE, LOW VOLTAGE, CHILLERS	1
1	1131943	#8-18 X 1/2" HWH #3 PT SELF DRILLING SCREW, 410 SS	186

ITEM NO.	PART NUMBER	DESCRIPTION	20204-001/QTY.
----------	-------------	-------------	----------------

FLAGSHIP MARINE, INC. BILL OF MATERIALS

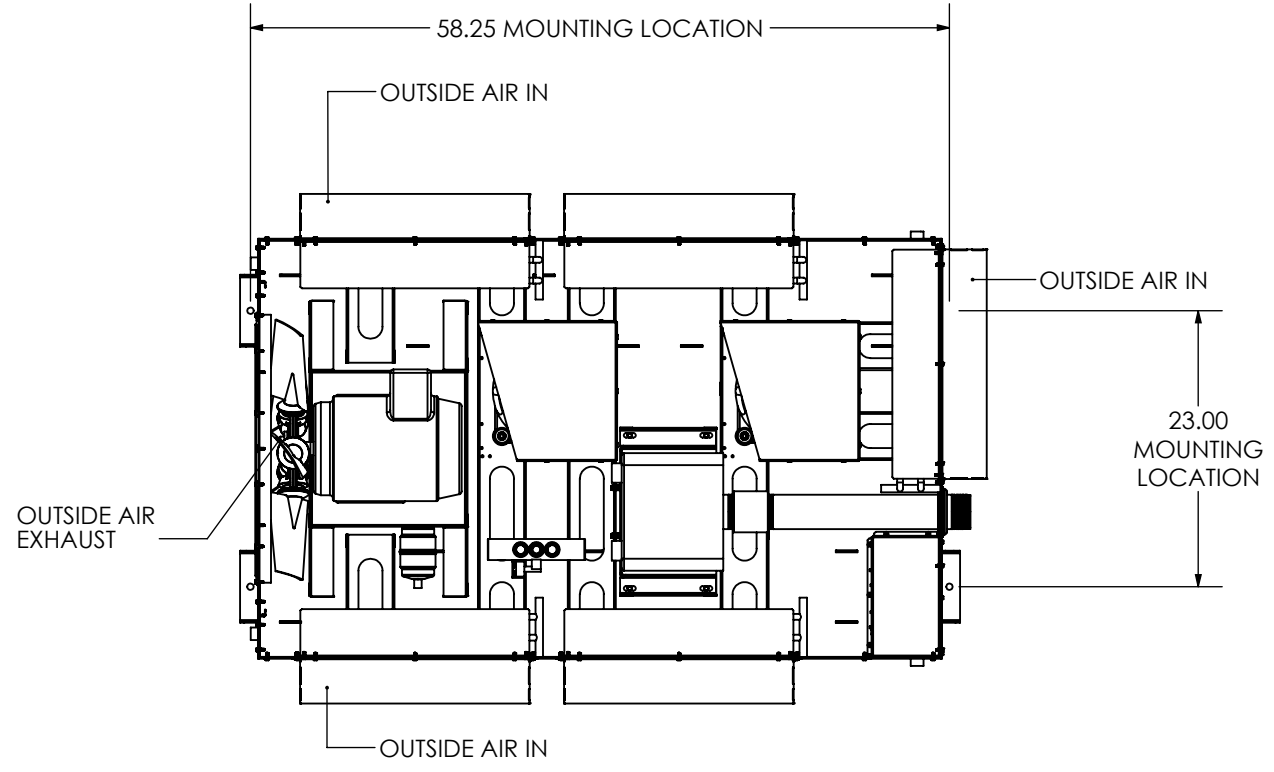
<p>FLAGSHIP MARINE, INC. 2427 SE DIXIE HIGHWAY STUART FLORIDA 34996 USA (772) 283-1609 (800) 316-6426 FAX (772) 283-4611</p> <p>PROPRIETARY AND CONFIDENTIAL</p> <p>THIS DOCUMENT CONTAINS INFORMATION PROPRIETARY TO FLAGSHIP MARINE, INC. NO PART MAY BE REPRODUCED, USED IN ANY FORM, OR STORED ELECTRONICALLY WITHOUT THE WRITTEN PERMISSION OF FLAGSHIP MARINE, INC.</p>	-	-	UNLESS OTHERWISE SPECIFIED: DIMENSIONS ARE IN INCHES TOLERANCES: FRACTIONS ± 1/32 ANG: MACH ± 0°30' BEND ± 2° DECIMALS .XX ± .01 .XXX ± .005 HOLE Ø .XX ± .005	DRAWN	SWC	10/16/2009	<p>TITLE: ASSEMBLY, AIR COOLED, CHILLER, FM240CWAC, 240V</p> <p>PART NO. 20204-001</p> <p>SIZE B DWG. NO. FM20204 REV 01</p> <p>OLD PART NO. -</p> <p>SCALE: 1:16 WGT: 2479.58 LBS SHEET 1 OF 2</p>
	-	-	INTERPRET GEOMETRIC TOLERANCING PER: ASME Y14.5M	CHECKED	TCM	-	
	-	-	MATERIAL	ENG APPR.	TCM	-	
	-	-	FINISH	MFG APPR.	TCM	-	
	NEXT ASSY	USED ON	Q.A.	EAS	-		
	APPLICATION		PERP STRAIGHTNESS ± .003/IN FLATNESS ± .005/IN THREADS: EXTERNAL - CLASS 2A INTERNAL - CLASS 2B MACHINED SURFACES: √ U.O.S				

2. PREFERRED LIMITS AND FITS PER ANSI B4.1 (INCHES).
1. DIMENSIONING & TOLERANCING PER ASME Y14.5M.
NOTES:

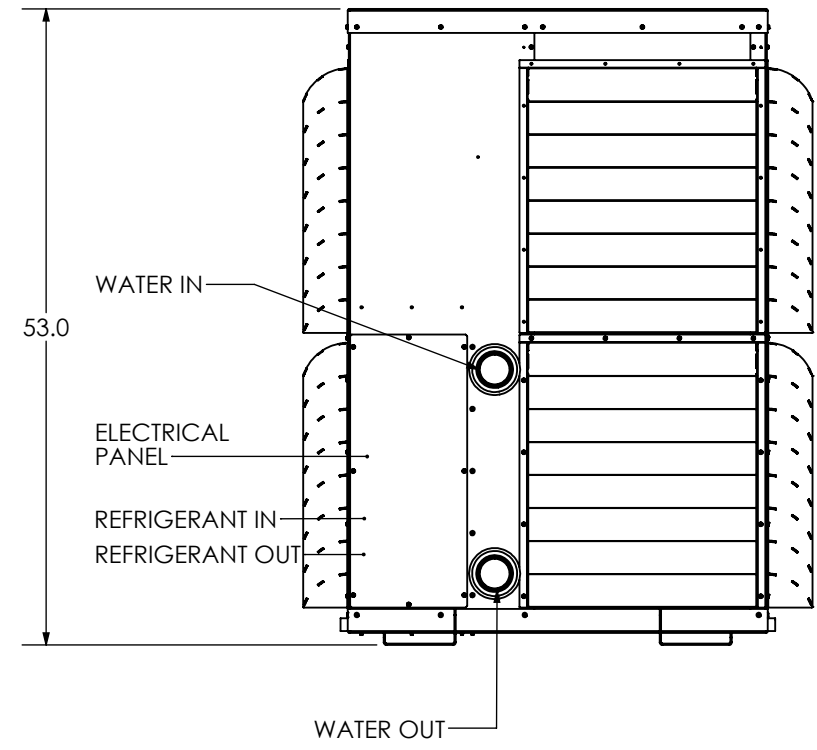
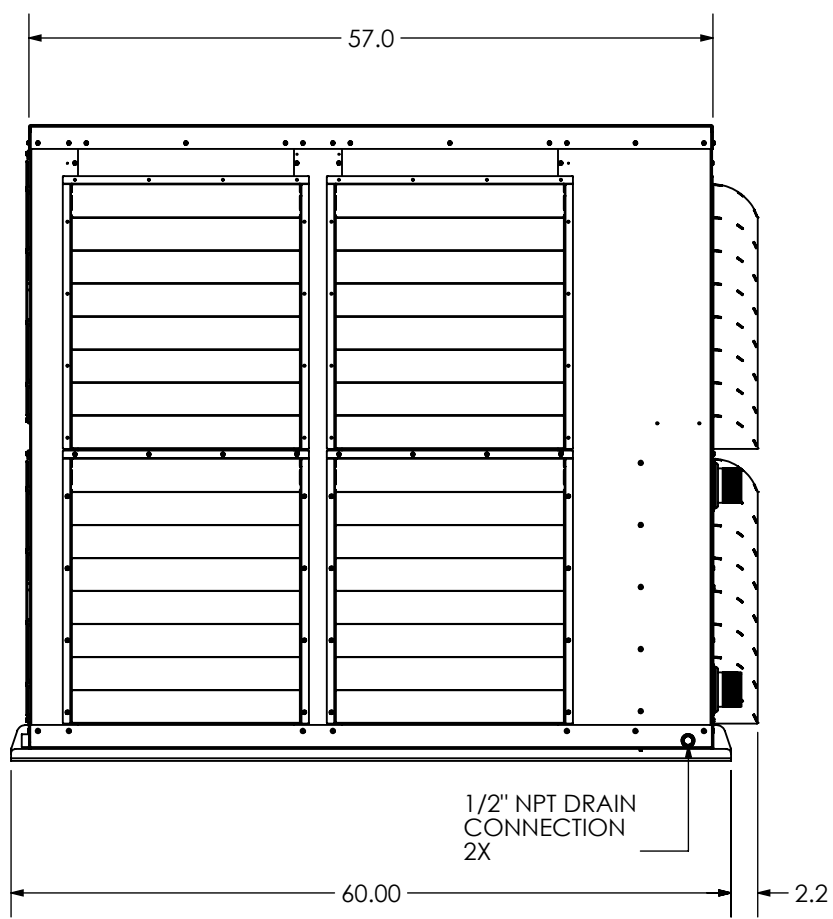
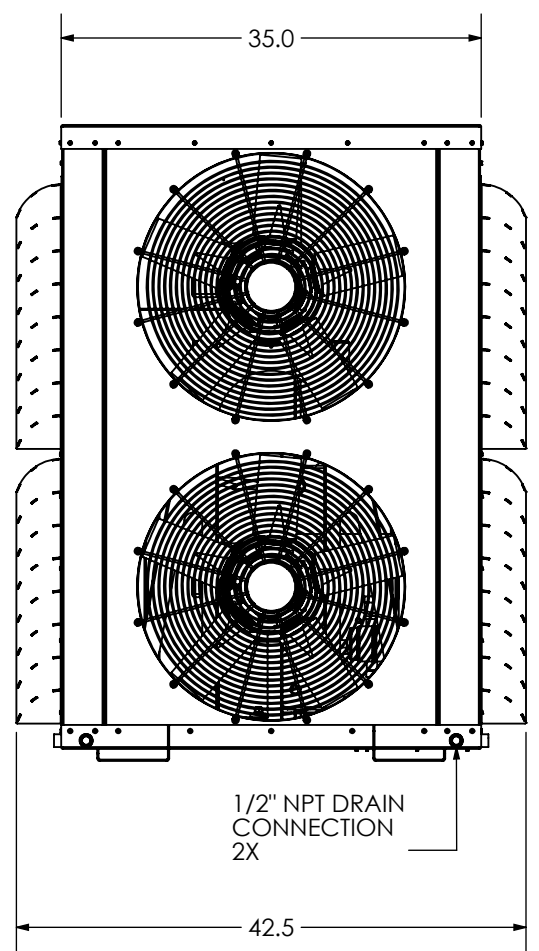
8 7 6 5 4 3 2 1

D
C
B
A

D
C
B
A



TOP VIEW
WITH LID REMOVED FOR CLAIRITY



Flagship Marine
Commercial Quality Factory Direct Prices

2427 SE DIXIE HIGHWAY | STUART | FLORIDA | 34996 | USA
(772) 283-1609 | (800) 316-6426 FAX (772) 283-4611

DRAWN -	SIZE B	DRAWING NO. FM20204	REV 01
CHECKED -		WGT: 2479.58 LBS	SCALE: 1:16
ENG APPR. -			SHEET 2 OF 2

8 7 6 5 4 3 2 1