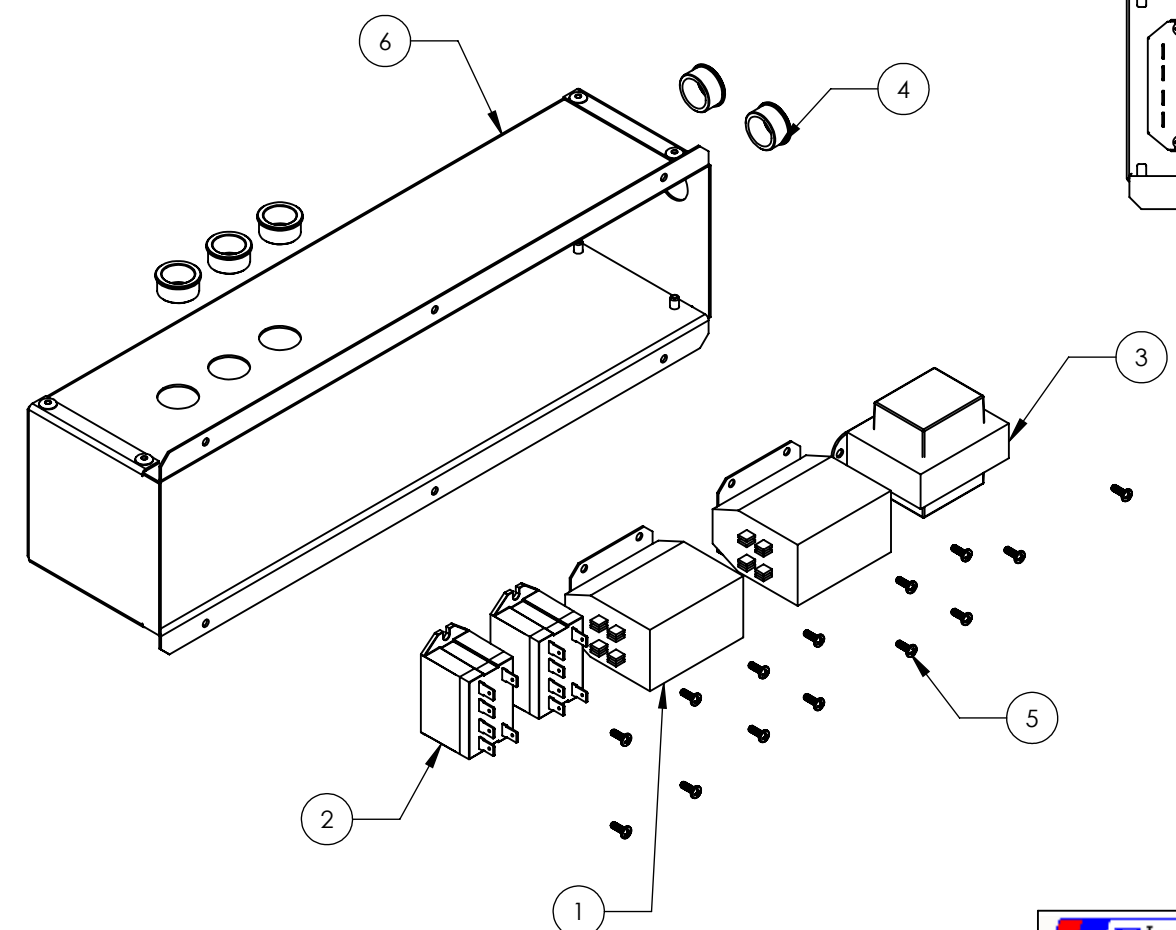
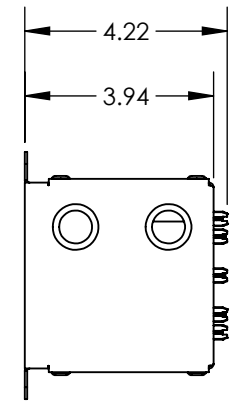
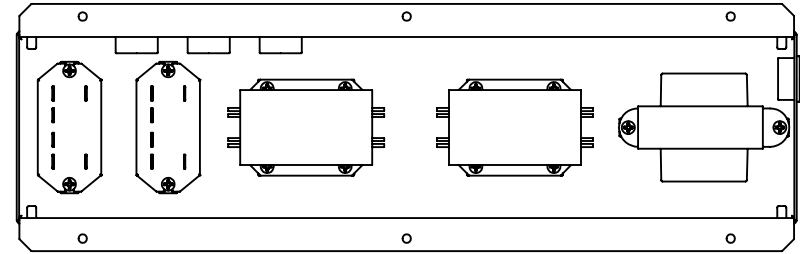
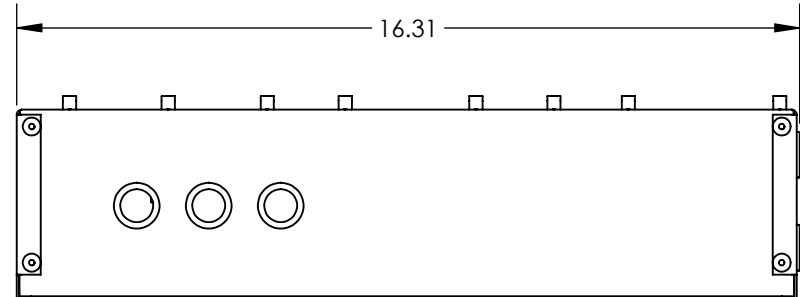
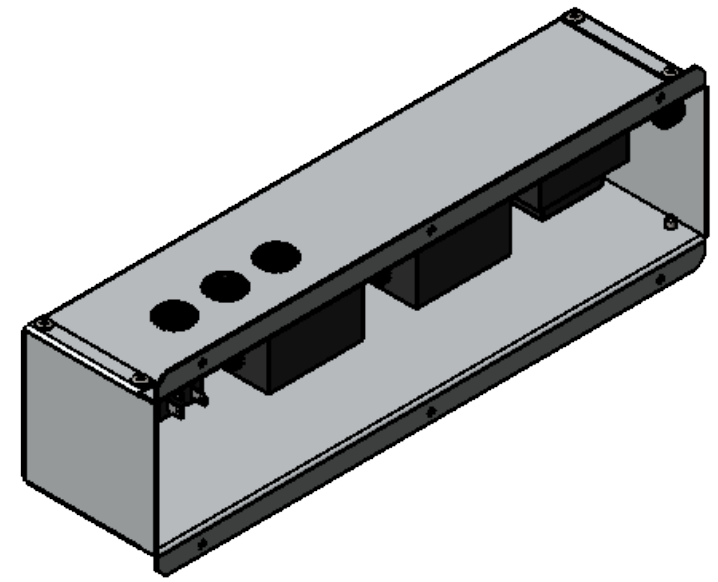


FLAGSHIP MARINE, INC.				
REV.	ZONE	DESCRIPTION	DATE	ENG APPROVAL
01	-	INITIAL RELEASE	6/25/2018	-



ITEM NO.	QTY	PART NUMBER	DESCRIPTION
6	1	71263-001	ASSEMBLY, CONTROL BOX, CHILLED WATER, FAN COIL, FM120/144CWFC
5	14	60562-001	SCREW, #6-32 X 3/8" PAN HEAD MACHINE SCREW, #2 DRIVE PHILLIPS, 18-8 SS
4	5	60131-001	GROMMET, 11/16" PUSH-IN LOCKING, NYLON
3	1	30121-001	TRANSFORMER, 115-230V TO 24V
2	2	30114-001	RELAY, 6-POLE, 24v, G7L-2A-TUB-CB-24
1	2	30097-001	CONTACTOR, 50FLA, 40a, 600v, 2-POLE, 6GNV1

FLAGSHIP MARINE, INC. BILL OF MATERIALS

Flagship Marine
 FLAGSHIP MARINE, INC.
 2427 SE DIXIE HIGHWAY
 STUART | FLORIDA | 34996 | USA
 (772) 283-1609 | (800) 316-6426
 FAX (772) 283-4611

PROPRIETARY AND CONFIDENTIAL
 THIS DOCUMENT CONTAINS INFORMATION PROPRIETARY TO FLAGSHIP MARINE, INC. NO PART MAY BE REPRODUCED, USED IN ANY FORM, OR STORED ELECTRONICALLY WITHOUT THE WRITTEN PERMISSION OF FLAGSHIP MARINE, INC.

UNLESS OTHERWISE SPECIFIED:		NAME	DATE
DIMENSIONS ARE IN INCHES		DRAWN	TJW 6/20/2018
TOLERANCES:		CHECKED	TCM -
FRACTIONS ± 1/32		ENG APPR.	TCM -
ANG: MACH ± 0°30' BEND ± 2°		MFG APPR.	TCM -
DECIMALS .XX ± .01		Q.A.	EAS -
.XXX ± .005		PERP STRAIGHTNESS ± .003/IN	
HOLE Ø .XX ± .005		FLATNESS ± .005/IN	
INTERPRET GEOMETRIC TOLERANCING PER: ASME Y14.5M		THREADS: EXTERNAL - CLASS 2A	
MATERIAL N/A		INTERNAL - CLASS 2B	
FINISH N/A		MACHINED SURFACES: √ U.O.S	
NEXT ASSY	USED ON	DO NOT SCALE DRAWING	
APPLICATION		DO NOT SCALE DRAWING	

TITLE: ASSEMBLY, CONTROL BOX, CHILLED WATER, FAN COIL, FM120/144CWFC

PART NO. **20202-001**

SIZE **B** DWG. NO. **FM20202** REV **01**

NSN NO. FM20202

SCALE: 1:4 WGT: 4.15 LBS SHEET 1 OF 1

- NOTES:
3. REMOVE ALL BURRS & BREAK SHARP EDGES .005" MAX.
 2. PREFERRED LIMITS AND FITS PER ANSI B4.1 (INCHES).
 1. DIMENSIONING & TOLERANCING PER ASME Y14.5M.