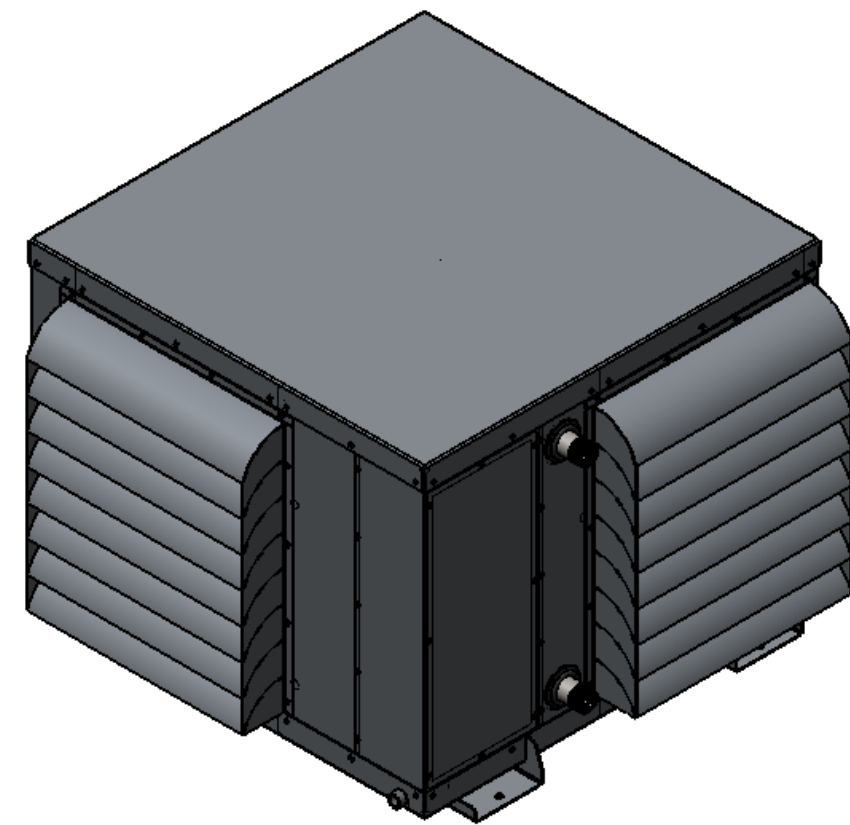


| PART NUMBER | DESCRIPTION                                   |
|-------------|---|
| 20200-001   | ASSEMBLY, AIR COOLED, CHILLER, FM60CWAC, 240V |

| FLAGSHIP MARINE, INC. |      |                  |           |              |
|-----------------------|------|------------------|-----------|--------------|
| REV.                  | ZONE | DESCRIPTION      | DATE      | ENG APPROVAL |
| 01                    | -    | INITIAL CHECK-IN | 6/27/2012 | -            |

2. PREFERRED LIMITS AND FITS PER ANSI B4.1 (INCHES).  
 1. DIMENSIONING & TOLERANCING PER ASME Y14.5M.  
 NOTES:



|    |               |  |     |
|----|---------------|--|-----|
| 35 | V6-414080-170 | REVERSING VALVE LESS COIL, V6-414080-170, RANCO  | 1   |
| 34 | HPC-104-S     | FILTER DRIER, REVERSIBLE, LIQUID LINE, TYPE HPC-104-S, CATCH-ALL                                 | 1   |
| 33 | FM60204       | EVAPORATOR, CHILLED WATER, FM24CW & FM36CW   | 1   |
| 32 | 8C375MXPS     | #8-32 x 3/8" PHMS 18-8 SS  | 12  |
| 31 | 70785-002     | FABRICATION, PANEL, CORNER, INTAKE, AIR COOLED, CHILLER, FM60CWAC                                | 1   |
| 30 | 70785-001     | FABRICATION, PANEL, CORNER, INTAKE, AIR COOLED, CHILLER, FM60CWAC                                | 1   |
| 29 | 80189-001     | WELDMENT, BASE, AIR COOLED, CHILLER, FM60CWAC  | 1   |
| 28 | 70786-001     | FABRICATION, PANEL, BIVECTOR, AIR COOLED, CHILLER, FM60CWAC                                      | 1   |
| 27 | 60156-001     | GRILL, 3/8" WIRE SPACE, 4" CNTR PLATE, 11ga (.120) SPIRAL, (8).187 SPOKES 304SS, MT HOLES #8     | 1   |
| 26 | 80065-001     | WELDMENT, PANEL, LOUVER, SELF CONTAINED, AIR COOLED, UNIVERSAL                                   | 3   |
| 25 | 4830K129      |  | 2   |
| 24 | 20016-011     | ASSEMBLY, CONTROL BOX, SELF CONTAINED, A/C, SINGLE PHASE, WITH OPTIONAL HEAT, 48K-120K UNIVERSAL | 1   |
| 23 | 60073-001     | FAN, 3572CFM, 0.65inH2O, 0.66HP, 22/5-10/P3HR/30/PA/0.875/0.187/BR/JA                            | 1   |
| 22 | 70787-001     | FABRICATION, PANEL, ACCESS, AIR COOLED, CHILLER, FM60/120-V/180CWAC                              | 1   |
| 21 | 70788-001     | FABRICATION, PANEL, CLOSEOUT, AIR COOLED, CHILLER, FM60CWAC                                      | 3   |
| 20 | 70627-002     | FABRICATION, BRACKET, EVAPORATOR, SELF CONTAINED, AIR COOLED, CHILLER UNIT, FM60CWAC             | 1   |
| 19 | 70784-002     | FABRICATION, PANEL, CORNER, EXHAUST, AIR COOLED, CHILLER, FM60CWAC                               | 1   |
| 18 | 70784-001     | FABRICATION, PANEL, CORNER, EXHAUST, AIR COOLED, CHILLER, FM60CWAC                               | 1   |
| 17 | 6359K37       | GROMMET, SNAP-IN SEALING, 1.25" PIPE, FITS 1.62" TO 1.75" PIPE DIA.                              | 2   |
| 16 | 60533-001     | RIVET, 3/16" DIA. .062-.125" GRIP RANGE, SSB6-2S   | 51  |
| 15 | 60304-001     | MOTOR, 2HP, 1730RPM, 1PH, 60HZ, 56HZ, 3528LC, TEFC, F1, 7/8" SHAFT                               | 1   |
| 14 | 60260-001     | COMPRESSOR, SCROLL, 1PH, 60 Hz, 208-230V   | 1   |
| 13 | 70781-001     | FABRICATION, LID, AIR COOLED, CHILLER, FM60/120-V/180CWAC  | 1   |
| 12 | 60131-001     | GROMMET, 1 1/8" PUSH-IN LOCKING, NYLON   | 8   |
| 11 | 70789-001     | FABRICATION, PANEL, CORNER, ELECTRICAL CLOSEOUT, AIR COOLED, CHILLER, FM60/120-V/180CWAC         | 1   |
| 10 | 60071-001     | STANDOFF, .385 ID X 1.406 OD X 1.00 THK, 70 DURO EPDM BLACK                                      | 4   |
| 9  | 60070-001     | WASHER, .385 ID X 1.406 OD X .25 THK, 60 DURO EPDM BLACK   | 4   |
| 8  | 60216-001     | EVAPORATOR, 36000 MBTU, 17.50HX18.13W, 4 ROW   | 3   |
| 7  | 4464K66       | 1 1/4" NPT COUPLING, 304 SS  | 2   |
| 6  | 37NWLOS       | 3/8 LOCK WASHER SS   | 8   |
| 5  | 37N125WFES    | 3/8 X 1-1/4 FENDER WASHER SS   | 8   |
| 4  | 37CNFHS       | 3/8 HEX FINISH NUT SS  | 8   |
| 3  | 80160-001     | WELDMENT, SHROUD PANEL, FAN, AIR COOLED, CHILLER, FM60CWAC                                       | 1   |
| 2  | 20014-001     | ASSEMBLY, ENCLOSURE, LOW VOLTAGE, CHILLERS   | 1   |
| 1  | 1131943       | #8-18 X 1/2" HWH #3 PT SELF DRILLING SCREW, 410 SS   | 130 |

| ITEM NO. | PART NUMBER | DESCRIPTION | 20200-001/QTY. |
|----------|-------------|-------------|----------------|
|----------|-------------|-------------|----------------|

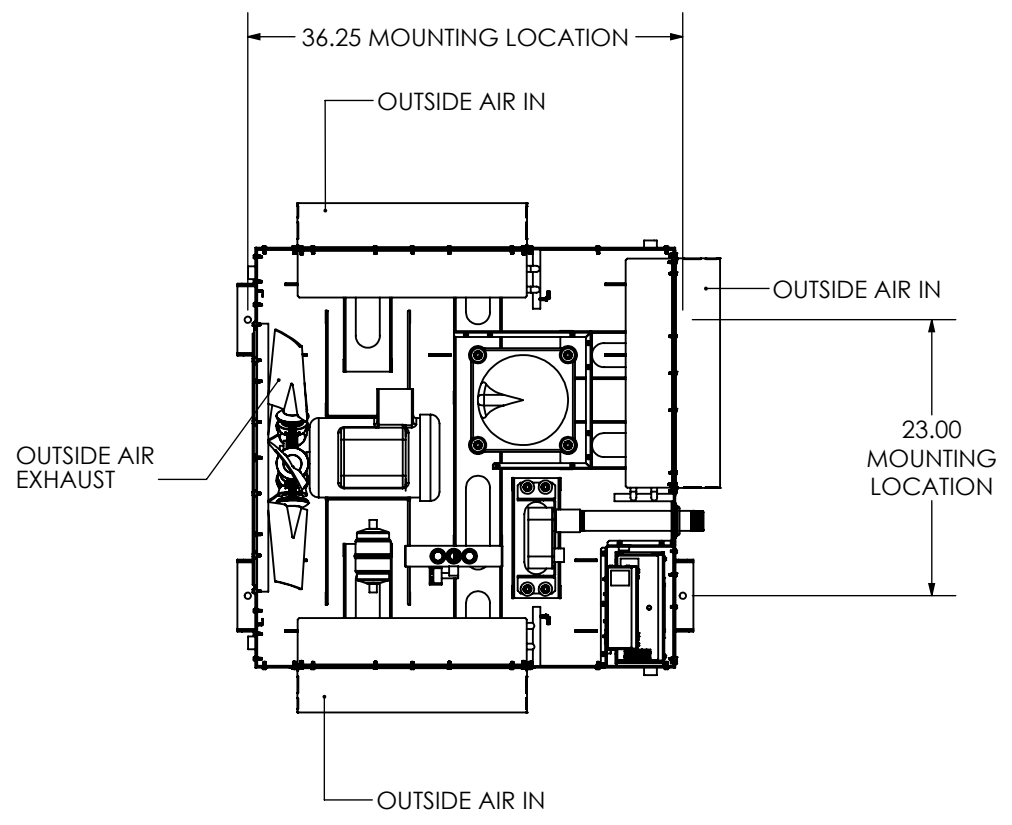
**FLAGSHIP MARINE, INC. BILL OF MATERIALS**

|   |             |   |   |           |     |   |   |
|---|-------------|---|---|-----------|-----|---|---|
| <p><b>FLAGSHIP MARINE, INC.</b><br/>         2427 SE DIXIE HIGHWAY<br/>         STUART   FLORIDA   34996   USA<br/>         (772) 283-1609   (800) 316-6426<br/>         FAX (772) 283-4611</p> <p><b>PROPRIETARY AND CONFIDENTIAL</b></p> <p>THIS DOCUMENT CONTAINS INFORMATION PROPRIETARY TO FLAGSHIP MARINE, INC. NO PART MAY BE REPRODUCED, USED IN ANY FORM, OR STORED ELECTRONICALLY WITHOUT THE WRITTEN PERMISSION OF FLAGSHIP MARINE, INC.</p> | -           | -   | UNLESS OTHERWISE SPECIFIED:<br>DIMENSIONS ARE IN INCHES<br>TOLERANCES:<br>FRACTIONS ± 1/32<br>ANG: MACH ± 0°30' BEND ± 2°<br>DECIMALS .XX ± .01<br>.XXX ± .005<br>HOLE Ø .XX ± .005 | DRAWN     | SWC | 10/16/2009  | TITLE:<br><b>ASSEMBLY, AIR COOLED, CHILLER, FM60CWAC, 240V</b><br><br>PART NO. <b>20200-001</b> |
|   | -           | -   | INTERPRET GEOMETRIC TOLERANCING PER: ASME Y14.5M  | CHECKED   | TCM | -   |   |
|   | -           | -   | MATERIAL  | ENG APPR. | TCM | -   |   |
|   | -           | -   | FINISH  | MFG APPR. | TCM | -   |   |
| -   | -           | PERP STRAIGHTNESS .003/IN<br>FLATNESS .005/IN<br>THREADS:<br>EXTERNAL - CLASS 2A<br>INTERNAL - CLASS 2B<br>MACHINED SURFACES: ✓ U.O.S | Q.A.  | EAS       | -   | SIZE <b>B</b> DWG. NO. <b>FM20200</b> REV <b>01</b><br>OLD PART NO. -<br>SCALE: 1:16   WGT: 798.60 LBS   SHEET 1 OF 2 |   |
|   | NEXT ASSY   | USED ON   |   |           |     |   |   |
|   | APPLICATION |   | DO NOT SCALE DRAWING  |           |     |   |   |

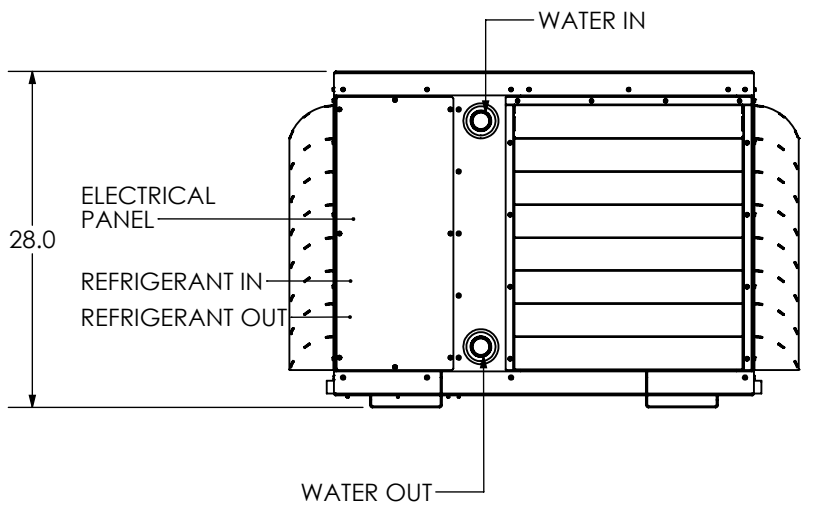
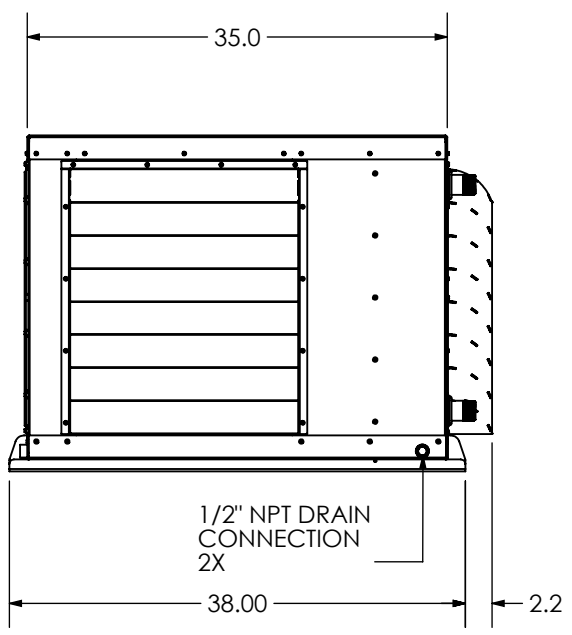
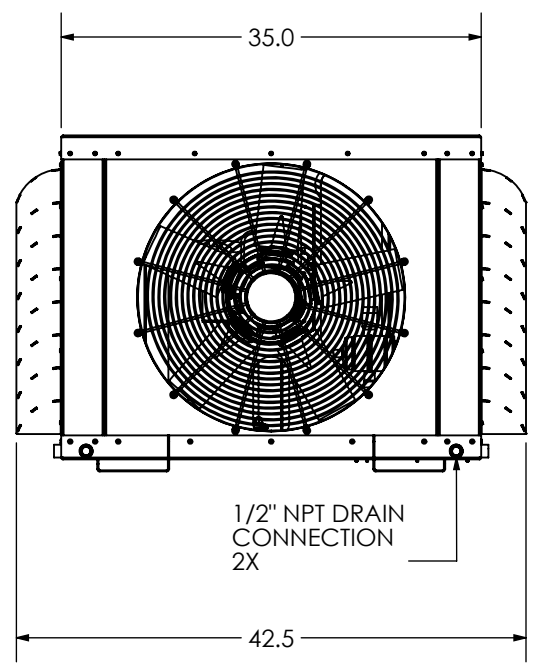
8 7 6 5 4 2 1

D  
C  
B  
A

D  
C  
B  
A



TOP VIEW  
WITH LID REMOVED FOR CLAIRITY



**Flagship Marine**  
Commercial Quality Factory Direct Prices

2427 SE DIXIE HIGHWAY | STUART | FLORIDA | 34996 | USA  
(772) 283-1609 | (800) 316-6426 FAX (772) 283-4611

|           |   |
|-----------|---|
| DRAWN     | - |
| CHECKED   | - |
| ENG APPR. | - |

|                 |             |              |
|-----------------|-------------|--------------|
| SIZE            | DRAWING NO. | REV          |
| B               | FM20200     | 01           |
| WGT: 798.60 LBS | SCALE: 1:16 | SHEET 2 OF 2 |

8 7 6 5 4 3 2 1