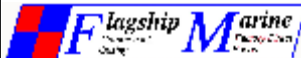


PART NUMBER		DESCRIPTION		FLAGSHIP MARINE, INC.				
20173-001		CHILLER UNIT, AIR-COOLED, FM120CWAC, 230/3/60, 10-TON (COOL ONLY)		REV.	ZONE	DESCRIPTION	DATE	ENG APPROVAL
20173-002		CHILLER UNIT, AIR-COOLED, FM120CWAC, 460/3/60, 10-TON (COOL ONLY)		09	-	COMPLETE REBUILD	10/24/2018	-
				10	-	MOVED EVAPORATOR MOUNTING BOLTS	6/11/2019	-
				A	-	MULTIPLE ADJUSTMENTS AND UPDATES	7/18/2019	-

77	1	1	80193-001	WELDMENT, BASE, SELF CONTAINED, AIR COOLED, CHILLER UNIT, FM120CWAC	38	40	40	60527-001	SELF TAP, #8 X 1/2 HWH SELF DRILL 410 SS
76	2	2	71289-001	FABRICATION, PANEL, SELF CONTAINED, AIR COOLED, CHILLER UNIT, FM120CWAC	37	16	16	60527-001	SELF TAP, #8 X 1/2 HWH SELF DRILL 18-8 SS
75	1	1	71166-001	TAG, "LOW VOLTAGE OUTPUT SIGNALS"	36	76	76	60517-001	SCREW, #8-32 X 3/8" PAN HEAD MACHINE SCREW, #2 DRIVE PHILLIPS, 18-8 SS
74	1	1	71000-001	TAG, PLATE, SERIAL NUMBER, ANODIZED, ETCHED	35	8	8	60515-001	NUT, 5/16-18, 18-8 SST, NYLON INSERT LOCKNUT
73	1	1	70999-001	TAG, WATER IN, ANODIZED, ETCHED	34	1	1	60504-001	LABEL, CAUTION, HIGH VOLTAGE, 2.5" X 1.5"
72	1	1	70998-001	TAG, WATER OUT, ANODIZED, ETCHED	33	1	1	60500-001	LABEL, FMI MANUFACTURED BY
71	1	1	70997-001	TAG, LOW PRESSURE, ANODIZED, ETCHED	32	2	2	60343-001	MOTOR, 1755 RPM, 2 HP, TEFC, 230/460/3/60, 7/8" SHAFT, BALDOR EM3558T
70	1	1	70996-001	TAG, HIGH PRESSURE, ANODIZED, ETCHED	31	A/R	A/R	60329-001	REFRIGERANT, NU-22B
69	1	1	70984-001	TAG, POWER CONNECTIONS, ANODIZED, ETCHED	30	-	1	60328-001	COMPRESSOR, SCROLL, 460/3/60, ZR125, 128K BTU
68	1	1	70952-001	TAG, MINERAL OIL, ETCHED "COMPRESSOR FILLED WITH MINERAL OIL"	29	1	-	60319-001	COMPRESSOR, SCROLL, 230/3/60, ZR125, 128K BTU, R22
67	2	2	70657-002	FABRICATION, STRAP, FILTER DRIER, CHILLER, FM360CW	28	4	4	60227-001	CONDENSER, 72000 MBTU, 17.50HX18.00W, X 6 ROW
66	1	1	70654-001	FABRICATION, BRACKET, EVAPORATOR, CHILLER, FM60CW	27	1	1	60206-001	EVAPORATOR, CHILLED WATER, FM120CW, 60 PL
65	1	1	70629-001	FABRICATION, PANEL, ACCESS, SELF CONTAINED, AIR COOLED, CHILLER UNIT, FM120/180CWAC	26	2	2	60156-002	GRILL, 3/8" WIRE SPACE, 4" CNTR PLATE, 11ga (.120) SPIRAL, (8).187 SPOKES 316SS, MT HOLES #8
64	1	1	70628-001	FABRICATION, BRACKET, ENCLOSURE, LOW VOLTAGE, SELF CONTAINED, AIR COOLED, CHILLER UNIT, FM60CWAC	25	2	2	60146-001	FAN, 6000CFM, 2HP, 22" DIAMETER, 1728 RPM, 37.5DEG. PITCH
63	1	1	70626-012	FABRICATION, PANEL, CLOSEOUT, SELF CONTAINED, AIR COOLED, CHILLER UNIT, FM120CWAC	24	2	2	60142-001	GROMMET, SNAP-IN, FOR 1-1/2" OD PIPE
62	1	1	70626-011	FABRICATION, PANEL, CLOSEOUT, SELF CONTAINED, AIR COOLED, CHILLER UNIT, FM120CWAC	23	2	2	60115-002	LOUVER VENTILATOR, PRE-ANODIZED ALUMINUM, 3 X 4 1/2
61	1	1	70625-002	FABRICATION, PANEL, ACCESS, SELF CONTAINED, AIR COOLED, CHILLER UNIT, FM120CWAC	22	1	1	60087-001	SWITCH, ON/OFF, LEGEND PLATE, FOR 60086, M22-XST-GB10
60	1	1	70548-002	FABRICATION, LID, SELF CONTAINED, AIR COOLED, CHILLER UNIT, FM120CWAC	21	1	1	60086-001	SWITCH, LEGEND PLATE HOLDER
59	1	1	70547-001	ASSEMBLY, PANEL, BIVECTOR, SELF CONTAINED, AIR COOLED, CHILLER UNIT, FM120CWAC	20	1	1	60084-001	SWITCH, ON/OFF, W/ K10 CONTACTOR
58	1	1	70546-002	FABRICATION, PANEL, CORNER, SELF CONTAINED, AIR COOLED, CHILLER UNIT, FM120CWAC	19	1	1	60082-001	FILTER, FILTER/DRIER, 7/8" ODF, C307S
57	1	1	70546-001	FABRICATION, PANEL, CORNER, SELF CONTAINED, AIR COOLED, CHILLER UNIT, FM120CWAC	18	20	20	60070-001	WASHER, .385 ID X 1.406 OD X .25 THK, 60 DURO EPDM BLACK
56	1	1	70545-002	FABRICATION, PANEL, CORNER, SELF CONTAINED, AIR COOLED, FM120CWAC	17	2	2	60069-001	SWITCH, PRESSURE, OPEN (400) CLOSE (300)
55	1	1	70545-001	FABRICATION, PANEL, CORNER, SELF CONTAINED, AIR COOLED, FM120CWAC	16	1	1	60067-001	SWITCH, PRESSURE, OPEN (35) CLOSE (60)
54	1	1	70448-002	FABRICATION, PANEL, FAN, SELF CONTAINED, AIR COOLED, FM120AC	15	1	1	40131-001	FITTING, TEMP SENSOR WELL, CTRL.
53	1	1	70170-001	DETAIL, PLATE, DECORATIVE, FLAGSHIP MARINE	14	1	1	40115-001	FITTING, TEE, 1-1/4, MNPT, 304 SS
52	A/R	A/R	61052-001	SPRAY, DENFENDER COIL COATING, AEROSOL, 15 OZ.	13	1	1	40114-001	FITTING, BUSHING, 1-1/4" MNPT X 1"FNPT, 304 SS
51	A/R	A/R	61000-001	INSULATION, 1/8" FOAM PEEL AND STICK	12	5	5	40102-001	VALVE, 1/4" STANDARD SERVICE, CAP W/RUBBER O-RING
50	A/R	A/R	60998-001	TAPE, CORK ROLL, 30"x2"	11	1	1	40094-001	VALVE, EXPANSION, BALANCED PORT, R-22, 15 TONS, OVE-15-GA
49	A/R	A/R	60861-001	OIL, MINERAL, 1-GALLON	10	1	1	40030-001	LIQUID FLOW SWITCH, (1)SPDT, NEMA4, 1" - 8" PIPES
48	1	1	60823-001	COUPLING, BANDED, 1-1/4, 304 SS	9	A/R	A/R	30230-001	LOOM, SPLIT-TYPE, BLUE TRACER, 1/2", 1100', M125-0120-A
47	2	2	60821-001	NIPPLE, 1-1/4 X 4-1/2, 304 SS	8	2	2	30139-002	CONNECTOR, STRAIGHT, 1/2" PVC LIQUID TIGHT
46	2	2	60687-001	GROMMET, 1/2" DIA x 1/16" PANEL x 3/8" ID, SBR RUBBER	7	3	3	30139-001	CONNECTOR, 90 DEGREE PVC LIQUID-TIGHT, 1/2 NM TYPE B CONDUIT
45	27	27	60652-001	SCREW, #8-32 X 1" - #2 DRIVE TRUSS HEAD PHILLIPS, 18-8 SS	6	1	1	30100-001	CONTROLLER, RANCO, 112 SERIES, 24V
44	16	16	60643-001	WASHER, 5/16" USS FLAT, 18-8 SS	5	1	1	30061-001	WIRING, CHILLER, AIR-COOLED, FM96CWAC-FM120CWAC, 230/460/3
43	24	24	60636-001	WASHER, REGULAR FLAT TYPE B, #10 X .203"ID x .562"OD X .04"THK, 410 SS	4	4	4	20800-002	ASSEMBLY, LOUVER PANEL, SELF CONTAINED, AIR COOLED, 36K BTU
42	8	8	60568-001	BOLT, 5/16"-18x3/4" HEX HEAD BOLT SS	3	1	1	20568-001	ASSEMBLY, BRACKET, HALF ROUND BAR, 3/4", FREEZE CONTROL MOUNTING
41	8	8	60539-001	NUT, 3/8-16 NYLON LOCK NUT 18-8 SS	2	1	1	20191-002	CONTROL ENCLOSURE, CHILLER, AIR-COOLED, 230/460/3/60, (ON-BOARD MOUNT INCLUDED)
40	8	8	60534-001	WASHER, 3/8" X 1.25", FLAT	1	1	1	20014-001	MONITOR, CHILLER, FLAGSHIP MARINE

ITEM NO.	001 QTY	002 QTY	PART NUMBER	DESCRIPTION	ITEM NO.	001 QTY	002 QTY	PART NUMBER	DESCRIPTION
----------	---------	---------	-------------	-------------	----------	---------	---------	-------------	-------------

FLAGSHIP MARINE, INC. BILL OF MATERIALS					FLAGSHIP MARINE, INC. BILL OF MATERIALS						
 <p>FLAGSHIP MARINE, INC. 2427 SE DIXIE HIGHWAY STUART FLORIDA 34996 USA (772) 283-1609 (800) 316-6426 FAX (772) 283-4611</p> <p>PROPRIETARY AND CONFIDENTIAL</p> <p>THIS DOCUMENT CONTAINS INFORMATION PROPRIETARY TO FLAGSHIP MARINE, INC. NO PART MAY BE REPRODUCED, USED IN ANY FORM, OR STORED ELECTRONICALLY WITHOUT THE WRITTEN PERMISSION OF FLAGSHIP MARINE, INC.</p>					UNLESS OTHERWISE SPECIFIED:		DRAWN		NAME	DATE	TITLE: CHILLER UNIT, AIR-COOLED, FM120CWAC, 10-TON (COOL ONLY)
					DIMENSIONS ARE IN INCHES		CHECKED		TCM	-	
TOLERANCES:		ENG APPR.		TCM	-						
FRACTIONS ± 1/32		MFG APPR.		TCM	-						
ANG: MACH ± 0°30' BEND ± 2°		Q.A.		EAS	-						
DECIMALS .XX ± .01		PERP		.003/IN	SIZE	DWG. NO.		REV	PART NO. 20173-0XX		
.XXX ± .005		STRAIGHTNESS		.005/IN	B	FM20173		A			
HOLE Ø .XX ± .005		FLATNESS		.005/IN	OLD PART NO. -		SCALE: 1:16	WGT: 976.65 LBS		SHEET 1 OF 2	
INTERPRET GEOMETRIC TOLERANCING PER: ASME Y14.5M		THREADS:		EXTERNAL - CLASS 2A	INTERNAL - CLASS 2B	MACHINED SURFACES: ✓ U.O.S					
MATERIAL		FINISH									
NEXT ASSY		USED ON									
APPLICATION		DO NOT SCALE DRAWING									

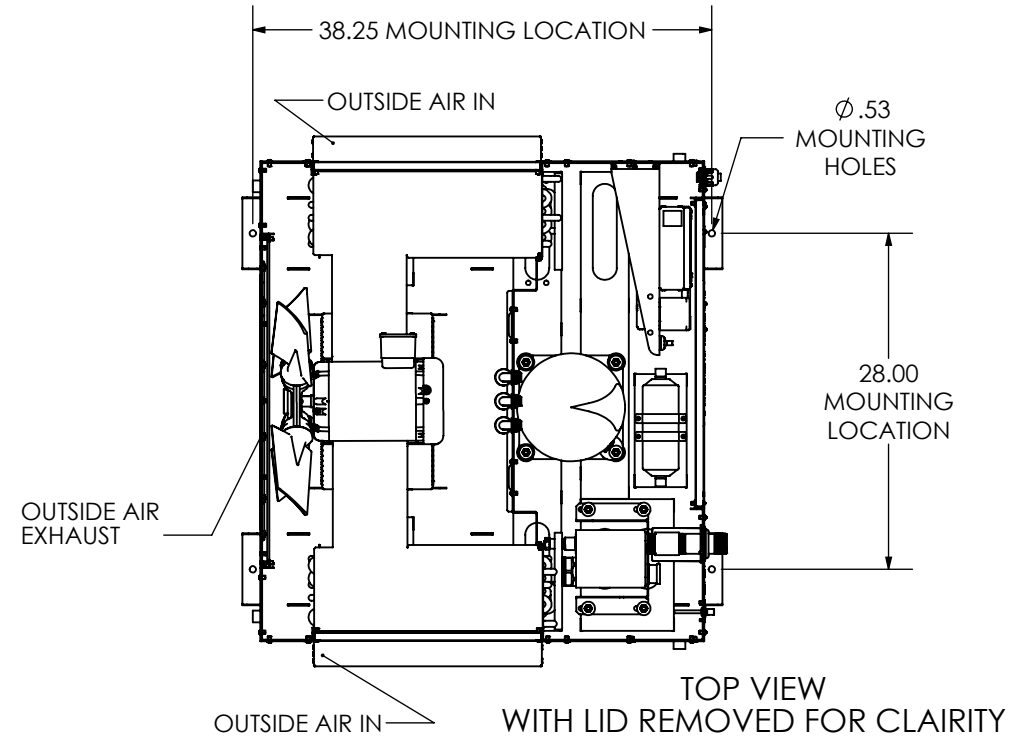
2. PREFERRED LIMITS AND FITS PER ANSI B4.1 (INCHES).
1. DIMENSIONING & TOLERANCING PER ASME Y14.5M.

NOTES:

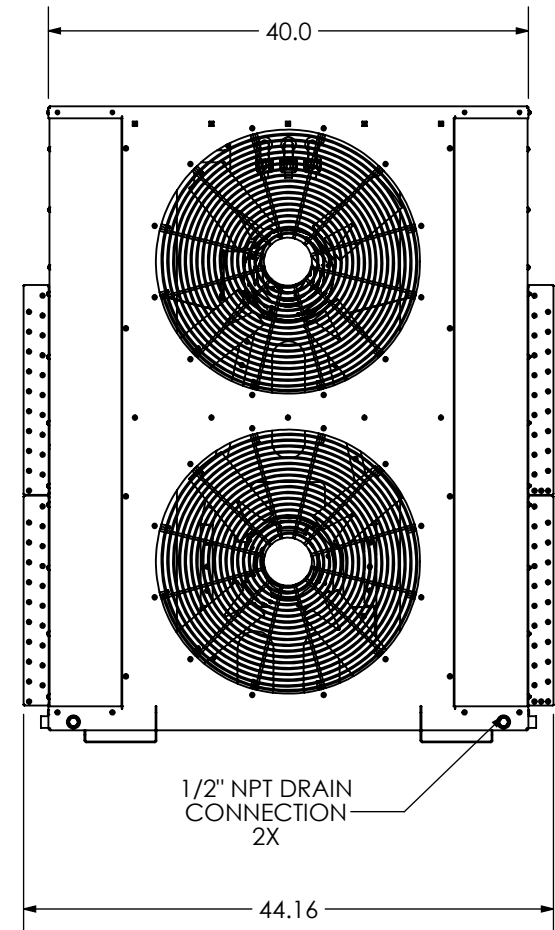
8 7 6 5 4 2 1

D

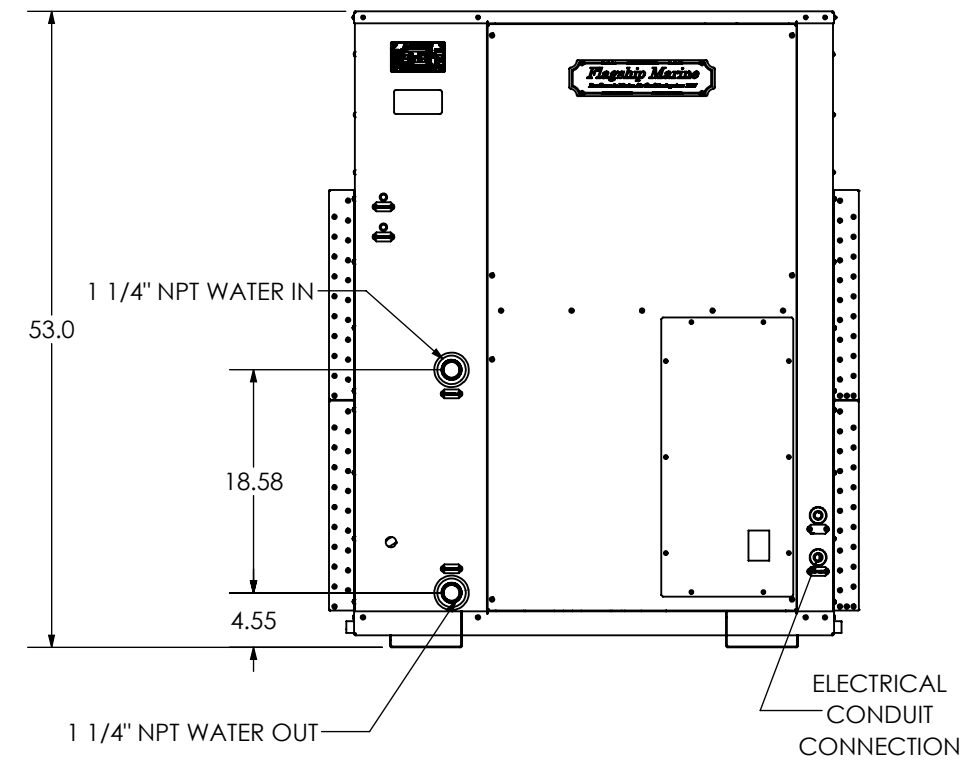
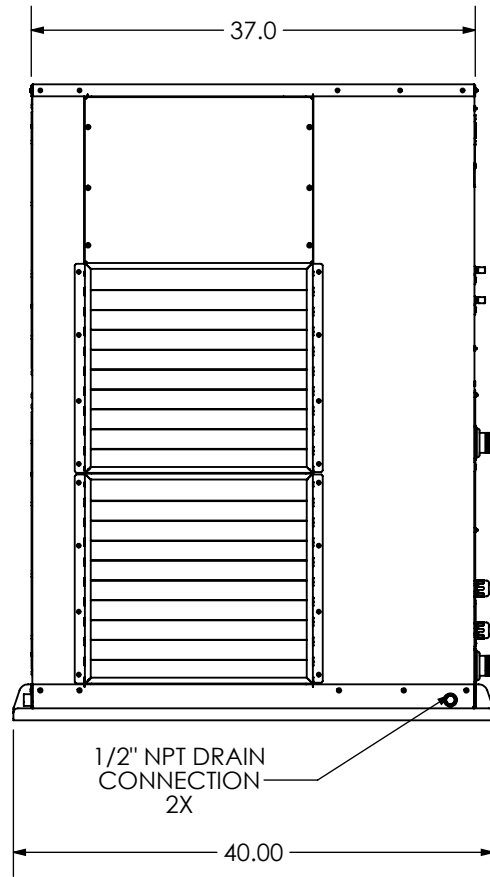
C



B



A



8 7 6 5 4 3 2 1

 <p>2427 SE DIXIE HIGHWAY STUART FLORIDA 34996 USA (772) 283-1609 (800) 316-6426 FAX (772) 283-4611</p>	DRAWN -	SIZE B	DRAWING NO. FM20173		REV A
	CHECKED -				
	ENG APPR. -	WGT: 976.65 LBS	SCALE: 1:16	SHEET 2 OF 2	