

PART NUMBER		DESCRIPTION		FLAGSHIP MARINE, INC.						
REV.	ZONE	DESCRIPTION			DATE	ENG APPROVAL				
20170-001		CHILLER UNIT, AIR COOLED, FM60CWAC, 230/1/60 (COOL ONLY)		06	-	MULTIPLE UPDATES, NEW CONTROL ENCLOSURE			9/25/2015	-
20170-002		CHILLER UNIT, AIR COOLED, FM60CWAC, 460/3/60 (COOL ONLY)		07	-	MULTIPLE CHANGES TO ADD LIQUID FLOW SWITCH			1/24/2018	-
20170-003		CHILLER UNIT, AIR COOLED, FM60CWAC, 230/3/60 (COOL ONLY)		08	-	CHANGED DESCRIPTIONS, ADDED A/R COMPONENTS			11/27/2018	-

81	1	1	1	80303-001	WELDMENT, BASE, SELF CONTAINED, AIR COOLED, CHILLER UNIT, FM60CWAC	41	4	4	4	60517-001	SCREW, #8-32 X 3/8" PAN HEAD MACHINE SCREW, #2 DRIVE PHILLIPS, 18-8 SS
80	1	1	1	71576-001	ASSEMBLY, PANEL, ACCESS, SELF CONTAINED, AIR COOLED, CHILLER UNIT, FM60CWAC	40	4	4	4	60515-001	NUT, 5/16-18, 18-8 SST, NYLON INSERT LOCKNUT
79	1	1	1	71575-001	FABRICATION, PANEL, BIVECTOR, SELF CONTAINED, AIR COOLED, CHILLER UNIT, FM60CWAC	39	1	1	1	60504-001	LABEL, CAUTION, HIGH VOLTAGE, 2.5" X 1.5"
78	1	1	1	71573-001	FABRICATION, LID, SELF CONTAINED, AIR COOLED, CHILLER UNIT, FM60CWAC	38	-	1	1	60343-001	MOTOR, 1755 RPM, 2 HP, TEFC, 230/460/3/60, 7/8" SHAFT, BALDOR EM3558T
77	1	1	1	71572-002	FABRICATION, PANEL, CORNER, SELF CONTAINED, AIR COOLED, CHILLER UNIT, FM60CWAC	37	A/R	A/R	A/R	60329-001	REFRIGERANT, NU-22B
76	1	1	1	71572-001	ASSEMBLY, PANEL, CORNER, SELF CONTAINED, AIR COOLED, CHILLER UNIT, FM60CWAC	36	1	-	-	60304-001	MOTOR, 1730 RPM, 2 HP, TEFC, 208/230/1/60, 7/8" SHAFT, BALDOR L3516TM
75	1	1	1	71571-002	FABRICATION, PANEL, CORNER, SELF CONTAINED, AIR COOLED, FM60CWAC	35	-	-	1	60291-001	COMPRESSOR, SCROLL, 230/3/60, ZR61, 62K BTU
74	1	1	1	71571-001	FABRICATION, PANEL, CORNER, SELF CONTAINED, AIR COOLED, FM60CWAC	34	-	1	-	60266-001	COMPRESSOR, SCROLL, 460/3/60, ZR61, 62K BTU
73	1	1	1	71570-001	FABRICATION, PANEL, FAN, SELF CONTAINED, AIR COOLED, FM60CWAC	33	1	-	-	60265-001	COMPRESSOR, SCROLL, 230/1/60, ZR61, 80 X 370 RUN CAP, 59.4K BTU
72	1	1	1	71302-002	FABRICATION, PANEL, CLOSEOUT, SELF CONTAINED, AIR COOLED, CHILLER UNIT, FM60CWAC	32	2	2	2	60227-001	CONDENSER, 72000 MBTU, 17.50HX18.00W, X 6 ROW
71	1	1	1	71302-001	FABRICATION, PANEL, CLOSEOUT, SELF CONTAINED, AIR COOLED, CHILLER UNIT, FM60CWAC	31	1	1	1	60205-001	EVAPORATOR, CHILLED WATER, 30 PLATE, FM48CW-FM72CW
70	1	1	1	70999-001	TAG, WATER IN, ANODIZED, ETCHED	30	1	1	1	60156-002	GRILL, 3/8" WIRE SPACE, 4" CNTR PLATE, 11ga (.120) SPIRAL, (8).187 SPOKES 316SS, MT HOLES #8
69	1	1	1	70998-001	TAG, WATER OUT, ANODIZED, ETCHED	29	1	1	1	60146-001	FAN, 6000CFM, 2HP, 22" DIAMETER, 1728 RPM, 37.5DEG. PITCH
68	1	1	1	70997-001	TAG, LOW PRESSURE, ANODIZED, ETCHED	28	2	2	2	60142-001	GROMMET, SNAP-IN, FOR 1-1/2" OD PIPE
67	1	1	1	70996-001	TAG, HIGH PRESSURE, ANODIZED, ETCHED	27	1	1	1	60141-001	GROMMET, SNAP-IN, FOR 1-1/4" OD PIPE
66	1	1	1	70952-001	TAG, MINERAL OIL, ETCHED "COMPRESSOR FILLED WITH MINERAL OIL"	26	1	1	1	60124-001	FILTER DRIER, 48K-72K, 1/2", LIQUID LINE, TYPE LLD164S
65	1	1	1	70713-001	FABRICATION, PANEL, CLOSEOUT, SELF CONTAINED, AIR COOLED, CHILLER UNIT, FM60CWAC	25	1	1	1	60087-001	TAG, ON/OFF, LEGEND PLATE, FOR 60086, M22-XST-GB10
64	2	2	2	70657-002	FABRICATION, STRAP, FILTER DRIER, CHILLER, FM360CW	24	1	1	1	60086-001	SWITCH, LEGEND PLATE HOLDER
63	1	1	1	70628-001	FABRICATION, BRACKET, ENCLOSURE, LOW VOLTAGE, SELF CONTAINED, AIR COOLED, CHILLER UNIT, FM60CWAC	23	1	1	1	60084-001	SWITCH, ON/OFF, W/ K10 CONTACTOR
62	1	1	1	70627-002	FABRICATION, BRACKET, EVAPORATOR, SELF CONTAINED, AIR COOLED, CHILLER UNIT, FM60CWAC	22	20	20	20	60070-001	WASHER, .385 ID X 1.406 OD X .25 THK, 60 DURO EPDM BLACK
61	A/R	A/R	A/R	61002-001	WEATHER STRIP, NEOPRENE/EPDM/SBR FOAM, ADHESIVE BACK, 3/16" THICK, 3/4" WIDE	21	2	2	2	60069-001	SWITCH, PRESSURE, OPEN (400) CLOSE (300)
60	A/R	A/R	A/R	61000-001	INSULATION, 1/8" FOAM PEEL AND STICK	20	1	1	1	60067-001	SWITCH, PRESSURE, OPEN (35) CLOSE (60)
59	A/R	A/R	A/R	60998-001	TAPE, CORK ROLL, 30"x2"	19	1	1	1	40148-001	FITTING, 1 1/4 X 6 304 SS NIPPLE
58	A/R	A/R	A/R	60861-001	OIL, MINERAL, 1-GALLON	18	1	1	1	40131-001	FITTING, TEMP SENSOR WELL, CTRL.
57	1	1	1	60823-001	COUPLING, BANDED, 1-1/4, 304 SS	17	1	1	1	40115-001	FITTING, TEE, 1-1/4, MNPT, 304 SS
56	1	1	1	60821-001	NIPPLE, 1-1/4 X 4-1/2, 304 SS	16	1	1	1	40114-001	FITTING, BUSHING, 1-1/4" MNPT X 1" FNPT, 304 SS
55	1	1	1	60811-001	PLUG, 1/2 SQ. HD. COUNTERSUNK, BRONZE	15	5	5	5	40102-001	VALVE, 1/4" STANDARD SERVICE, CAP W/RUBBER O-RING
54	3	3	3	60687-001	GROMMET, 1/2" DIA X 1/16" PANEL X 3/8" ID, SBR RUBBER	14	1	1	1	40091-001	VALVE, EXPANSION, BALANCED PORT, 8-TON, R22
53	12	12	12	60652-001	SCREW, #8-32 X 1" - #2 DRIVE TRUSS HEAD PHILLIPS, 18-8 SS	13	1	1	1	40030-001	LIQUID FLOW SWITCH, (1)SPDT, NEMA4, 1" - 8" PIPES
52	50	50	50	60648-001	SCREW, #8-32 X 3/8" - #2 DRIVE TRUSS HEAD PHILLIPS, 316 SS	12	1	1	1	30230-001	LOOM, SPLIT-TYPE, BLUE TRACER, 1/2", 1100', M125-0120-A
51	13	13	13	60636-001	WASHER, REGULAR FLAT TYPE B, #10 X .203"ID X .562"OD X .04"THK, 410 SS	11	A/R	A/R	A/R	30157-001	CONDUIT, LIQUID TIGHT, 1/2", GREY, NON-METALIC
50	4	4	4	60569-001	WASHER, 5/16" FINISH 18-8 SS	10	2	2	2	30139-002	CONNECTOR, STRAIGHT, 1/2" PVC LIQUID TIGHT
49	4	4	4	60568-001	BOLT, 5/16"-18x3/4" HEX HEAD BOLT SS	9	3	3	3	30139-001	CONNECTOR, 90 DEGREE PVC LIQUID-TIGHT, 1/2 NM TYPE B CONDUIT
48	4	4	4	60562-001	SCREW, #6-32 X 3/8" PAN HEAD MACHINE SCREW, #2 DRIVE PHILLIPS, 18-8 SS	8	1	1	1	30100-001	CONTROLLER, RANCO 24V
47	4	4	4	60560-001	WASHER, 3/8" FLAT 18-8 SS	7	-	1	1	30022-002	WIRING, CHILLER, AIR-COOLED, FM24CWAC-FM72CWAC, 230/460/3
46	8	8	8	60539-001	NUT, 3/8-16 NYLON LOCK NUT 18-8 SS	6	1	-	-	30022-001	WIRING, CHILLER, AIR-COOLED, FM24CWAC-FM72CWAC, 230/1
45	4	4	4	60534-001	WASHER, 3/8 X 1 1/4 FENDER WASHER, 18-8 SS	5	2	2	2	20800-002	ASSEMBLY, LOUVER PANEL, SELF CONTAINED, AIR COOLED, 36K BTU
44	2	2	2	60533-001	RIVET, 3/16" DIA. .062-.125" GRIP RANGE, SSB6-2S	4	1	1	1	20568-001	ASSEMBLY, BRACKET, HALF ROUND BAR, 3/4", FREEZE CONTROL MOUNTING
43	48	48	48	60531-001	RIVET, 3/16" DIA. .126-.250" GRIP RANGE TS, SS	3	-	1	1	20191-002	CONTROL ENCLOSURE, CHILLER, AIR-COOLED, 230/460/3/60, (ON-BOARD MOUNT INCLUDED)
42	34	34	34	60527-001	SELF TAP, #8 X 1/2 HWH SELF DRILL 18-8 SS	2	1	-	-	20191-001	CONTROL ENCLOSURE, CHILLER, AIR-COOLED, 230/1/60, (ON-BOARD MOUNT INCLUDED)
ITEM NO.	001 QTY	002 QTY	003 QTY	PART NUMBER	DESCRIPTION	ITEM NO.	001 QTY	002 QTY	003 QTY	PART NUMBER	DESCRIPTION

FLAGSHIP MARINE, INC. BILL OF MATERIALS



FLAGSHIP MARINE, INC.
 2427 SE DIXIE HIGHWAY
 STUART | FLORIDA | 34996 | USA
 (772) 283-1609 | (800) 316-6426
 FAX (772) 283-4611

PROPRIETARY AND CONFIDENTIAL

THIS DOCUMENT CONTAINS INFORMATION PROPRIETARY TO FLAGSHIP MARINE, INC. NO PART MAY BE REPRODUCED, USED IN ANY FORM, OR STORED ELECTRONICALLY WITHOUT THE WRITTEN PERMISSION OF FLAGSHIP MARINE, INC.

UNLESS OTHERWISE SPECIFIED:	NAME	DATE
DIMENSIONS ARE IN INCHES	DRAWN	SWC 10/16/2009
TOLERANCES:	CHECKED	TCM -
FRACTIONS ± 1/32	ENG APPR.	TCM -
ANG: MACH ± 0°30' BEND ± 2°	MFG APPR.	TCM -
DECIMALS .XX ± .01	Q.A.	EAS -
.XXX ± .005		
HOLE Ø .XX ± .005		
INTERPRET GEOMETRIC TOLERANCING PER: ASME Y14.5M		
MATERIAL	PERP	± .003/IN
	STRAIGHTNESS	± .005/IN
	FLATNESS	± .005/IN
FINISH	THREADS:	
	EXTERNAL - CLASS 2A	
	INTERNAL - CLASS 2B	
	MACHINED SURFACES: ✓ U.O.S	
NEXT ASSY		
USED ON		
APPLICATION		
DO NOT SCALE DRAWING		

TITLE:
 ASSEMBLY, SELF CONTAINED,
 AIR COOLED, CHILLER UNIT,
 FM60CWAC

PART NO.
 20170-0XX

SIZE B	DWG. NO. FM20170	REV 08
------------------	----------------------------	------------------

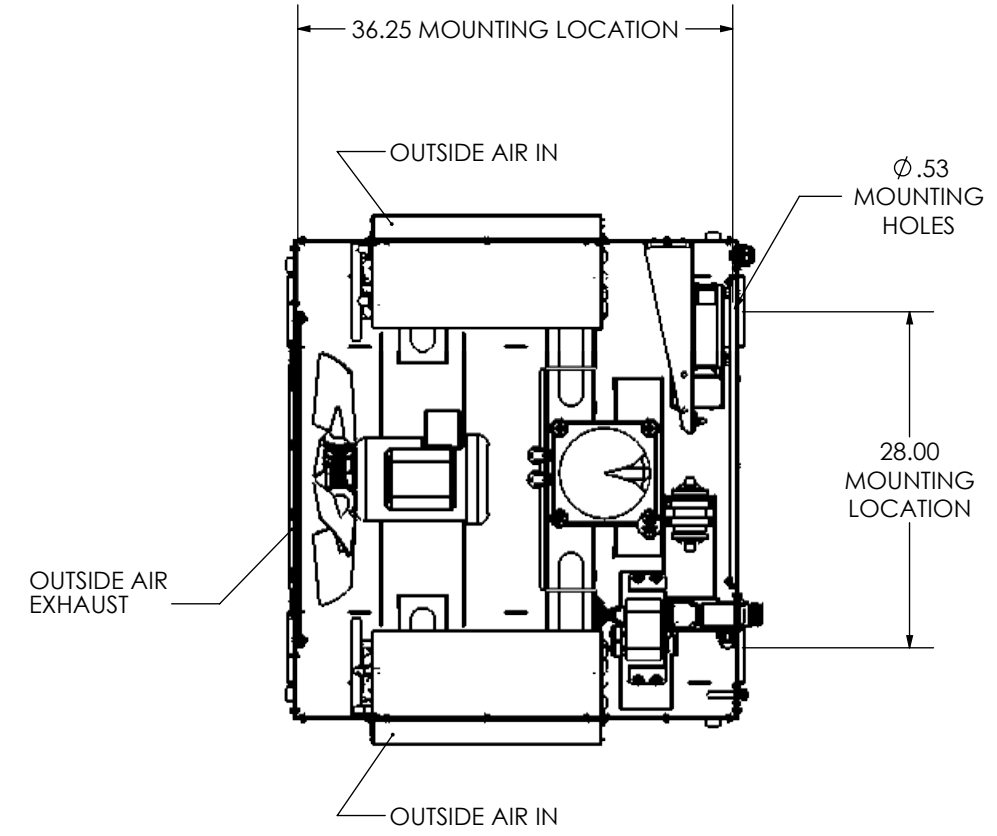
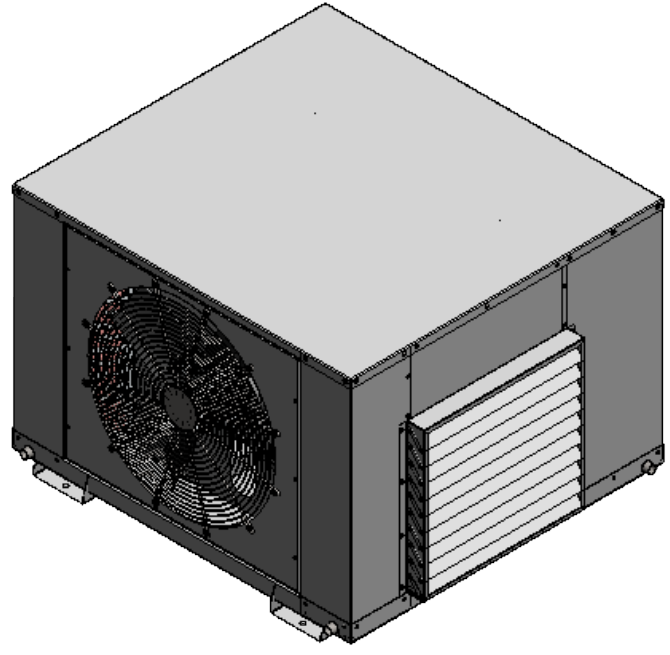
OLD PART NO. -

SCALE: 1:20 | **WGT:** 563.74 LBS | **SHEET** 1 OF 2

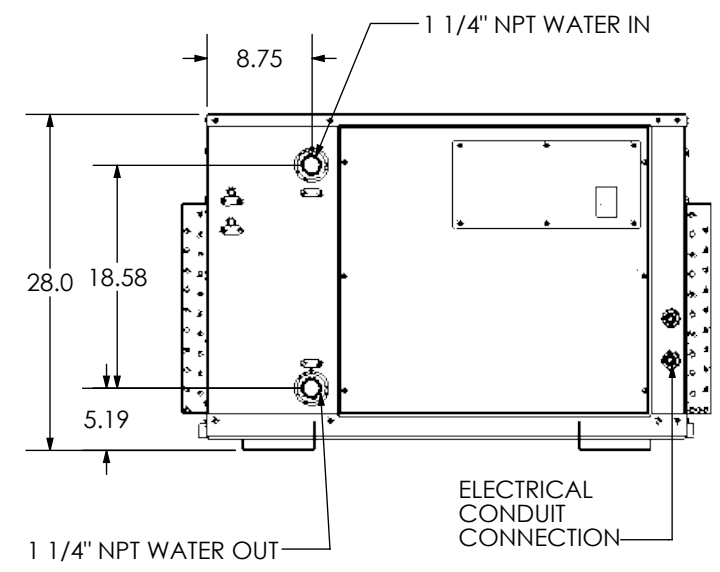
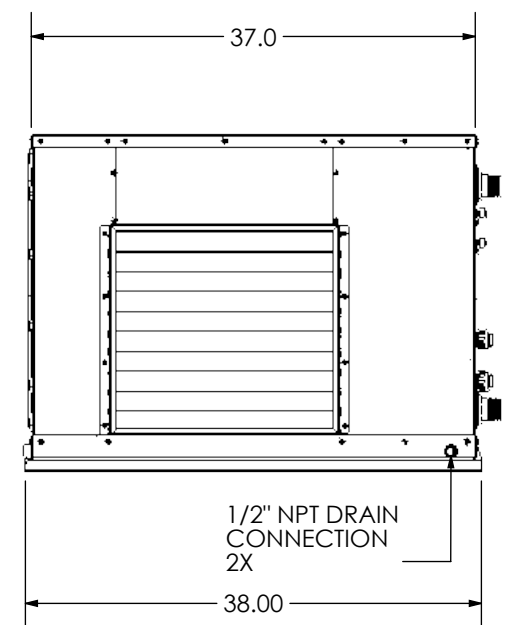
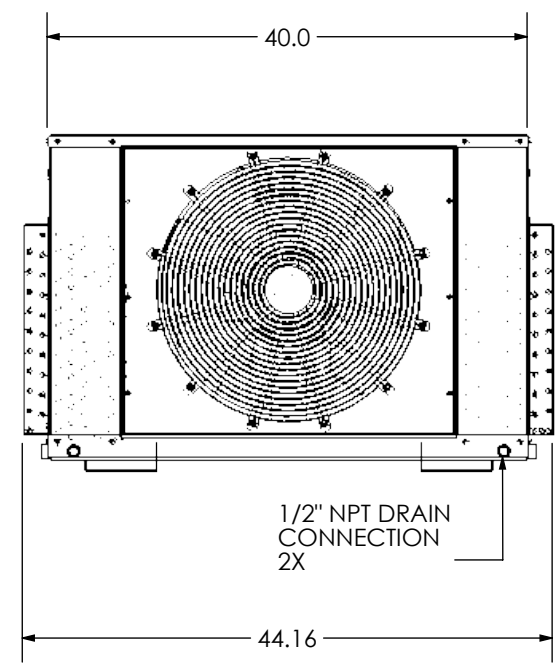
2. PREFERRED LIMITS AND FITS PER ANSI B4.1 (INCHES).
 1. DIMENSIONING & TOLERANCING PER ASME Y14.5M.
 NOTES:

8 7 6 5 4 2 1

D
C
B
A



TOP VIEW OF 20170-001
WITH LID REMOVED FOR CLAIRITY



 2427 SE DIXIE HIGHWAY STUART FLORIDA 34996 USA (772) 283-1609 (800) 316-6426 FAX (772) 283-4611	DRAWN - CHECKED - ENG APPR. -	SIZE B	DRAWING NO. FM20170	REV 08
	WGT: 563.82 LBS	SCALE: 1:16	SHEET 2 OF 2	

8 7 6 5 4 3 2 1