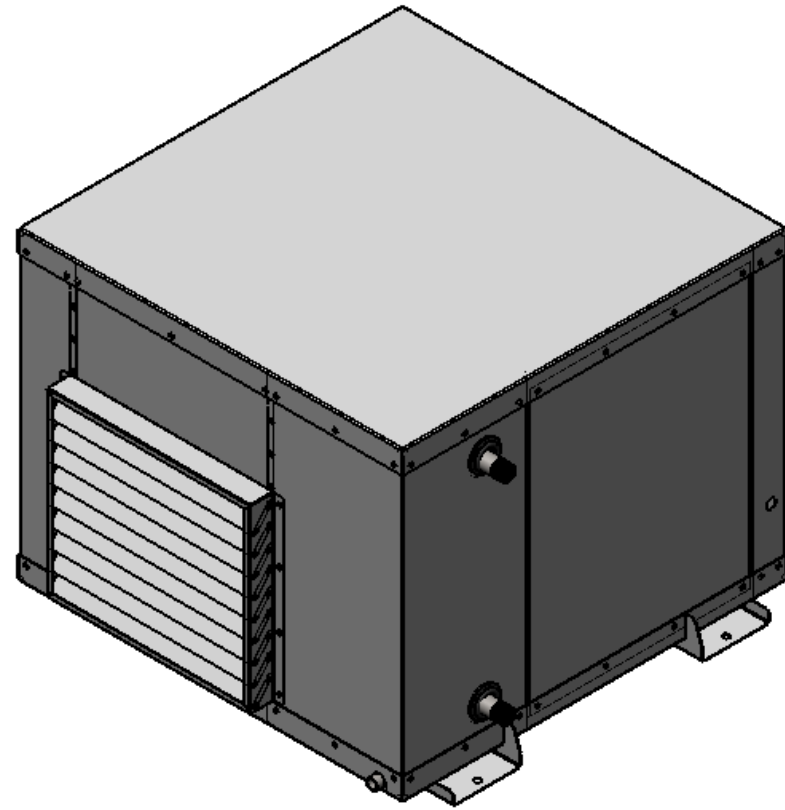


PART NUMBER	DESCRIPTION	FLAGSHIP MARINE, INC.				
		REV.	ZONE	DESCRIPTION	DATE	ENG APPROVAL
20167-001	ASSEMBLY, SELF CONTAINED, AIR COOLED, CHILLER UNIT, FM24CWAC, 240V	03	-	80059 QTY 2 WAS QTY 3; 70448 WAS 80156; ADDED 60156	2/12/2014	-
20167-002	ASSEMBLY, SELF CONTAINED, AIR COOLED, CHILLER UNIT, FM24CWAC, 460V	04	-	CONVERTED TO 316 SS; CONVERTED FASTENING METHOD; REPLACED 1PH MOTOR WITH 3PH	5/27/2014	-
		05	-	ADDED 20568	4/3/2015	-



41	hex nut_ai		8	8
40	lock washer spring regular_ai		8	8
39	60204-001	EVAPORATOR, CHILLED WATER, FM24CW & FM36CW	1	1
38	HPC-104-S	FILTER DRIER, REVERSIBLE, LIQUID LINE, TYPE HPC-104-S, CATCH-ALL	1	1
37	80187-001	WELDMENT, BASE, SELF CONTAINED, AIR COOLED, CHILLER UNIT, FM24CWAC	1	1
36	70638-002	FABRICATION, PANEL, CLOSEOUT, SELF CONTAINED, AIR COOLED, CHILLER UNIT, FM24CWAC	1	1
35	70638-001	FABRICATION, PANEL, CLOSEOUT, SELF CONTAINED, AIR COOLED, CHILLER UNIT, FM24CWAC	1	1
34	70637-001	FABRICATION, PANEL, ACCESS, SELF CONTAINED, AIR COOLED, CHILLER UNIT, FM24CWAC	1	1
33	70636-001	FABRICATION, PANEL, BIVECTOR, SELF CONTAINED, AIR COOLED, CHILLER UNIT, FM24CWAC	1	1
32	70635-002	FABRICATION, PANEL, CORNER, SELF CONTAINED, AIR COOLED, CHILLER UNIT, FM24CWAC	1	1
31	70635-001	FABRICATION, PANEL, CORNER, SELF CONTAINED, AIR COOLED, CHILLER UNIT, FM24CWAC	1	1
30	70634-002	FABRICATION, PANEL, CORNER, SELF CONTAINED, AIR COOLED, CHILLER UNIT, FM24CWAC	1	1
29	70634-001	FABRICATION, PANEL, CORNER, SELF CONTAINED, AIR COOLED, CHILLER UNIT, FM24CWAC	1	1
28	70631-001	FABRICATION, LID, SELF CONTAINED, AIR COOLED, CHILLER UNIT, FM24CWAC	1	1
27	70628-001	FABRICATION, BRACKET, ENCLOSURE, LOW VOLTAGE, SELF CONTAINED, AIR COOLED, CHILLER UNIT, FM60CWAC	1	1
26	70627-002	FABRICATION, BRACKET, EVAPORATOR, SELF CONTAINED, AIR COOLED, CHILLER UNIT, FM60CWAC	1	1
25	70448-001	FABRICATION, PANEL, FAN, SELF CONTAINED, AIR COOLED, FM48AC & FM60AC	1	1
24	60648-001	SCREW, #8-32 X 3/8" - #2 DRIVE TRUSS HEAD PHILLIPS, 316 SS	38	38
23	60636-001	WASHER, REGULAR FLAT TYPE B, #10 X .203"ID X .562"OD X .04"THK, 410 SS	12	12
22	60534-001	WASHER, 3/8 X 1 1/4 FENDER WASHER, 18-8 SS	8	8
21	60533-001	RIVET, 3/16" DIA. .062-.125" GRIP RANGE, SSB6-2S	1	1
20	60531-001	RIVET, 3/16" DIA. .126-.250" GRIP RANGE TS, SS	77	77
19	60527-001	SELF TAP, #8 X 1/2 HWH SELF DRILL 18-8 SS	30	30
18	60517-001	SCREW, #8-32 X 3/8" PAN HEAD MACHINE SCREW, #2 DRIVE PHILLIPS, 18-8 SS	4	4
17	60342-001	MOTOR, .75HP, 1140RPM, 3PH, 60HZ, 1.43T, 3.428M, TEFC, 7/8" SHAFT	1	1
16	60256-001	COMPRESSOR, SCROLL, 1PH, 60 Hz, 208-230V	1	1
15	60156-001	GRILL, 3/8" WIRE SPACE, 4" CNTR PLATE, 11ga (.120) SPIRAL, (8).187 SPOKES 304SS, MT HOLES #8	1	1
14	60141-001	GROMMET, SNAP-IN SEALING, 1" PIPE, FITS 1.30"-1.39" PIPE DIA.	2	2
13	60131-001	GROMMET, 11/16" PUSH-IN LOCKING, NYLON	2	2
12	60075-001	FAN, 2382CFM, 0.4H2O, 3/4HP, 22/4-4/P5ZR/25/PA/0.875/0.187/BR/JA	1	1
11	60071-001	STANDOFF, .385 ID X 1.406 OD X 1.00 THK, 70 DURO EPDM BLACK	4	4
10	60070-001	WASHER, .385 ID X 1.406 OD X .25 THK, 60 DURO EPDM BLACK	4	4
9	40144-001	FITTING, 1 X 8 304 SS NIPPLE	2	2
8	40140-001	FITTING, COUPLING, BANDED, 1, STRAIGHT, 304 SS	2	2
7	40131-001	FITTING, TEMP SENSOR WELL, CTRL.	1	1
6	40109-001	NUT, 1JLR4, SERVICE VALVE HI/LOW, BRN 1/2x1/8"	2	2
5	40101-001	VALVE, THRU BHD FITTING, 1/4", SERVICE	2	2
4	20800-001	ASSEMBLY, LOUVER PANEL, SELF CONTAINED, AIR COOLED, 24K BTU	2	2
3	20568-001	ASSEMBLY, BRACKET, HALF ROUND BAR, 3/4", FREEZE CONTROL MOUNTING	1	1
2	20016-001	ASSEMBLY, CONTROL BOX, SELF CONTAINED, A/C, 230-460/1/60, 48K-120K UNIVERSAL	1	1
1	20014-001	ASSEMBLY, ENCLOSURE, LOW VOLTAGE, CHILLERS	1	1

PRELIMINARY - UNRELEASED  
CHANGES WILL NOT BE RECORDED  
Monday, April 06, 2015

ITEM NO.	PART NUMBER	DESCRIPTION	20167-001/QTY.	20167-002/QTY.
<b>FLAGSHIP MARINE, INC. BILL OF MATERIALS</b>				

**FLAGSHIP MARINE, INC.**  
2427 SE DIXIE HIGHWAY  
STUART | FLORIDA | 34996 | USA  
(772) 283-1609 | (800) 316-6426  
FAX (772) 283-4611

**PROPRIETARY AND CONFIDENTIAL**

THIS DOCUMENT CONTAINS INFORMATION PROPRIETARY TO FLAGSHIP MARINE, INC. NO PART MAY BE REPRODUCED, USED IN ANY FORM, OR STORED ELECTRONICALLY WITHOUT THE WRITTEN PERMISSION OF FLAGSHIP MARINE, INC.

UNLESS OTHERWISE SPECIFIED:		NAME	DATE
DIMENSIONS ARE IN INCHES		DRAWN	SWC 10/16/2009
TOLERANCES:		CHECKED	TCM -
FRACTIONS ± 1/32		ENG APPR.	TCM -
ANG: MACH ± 0°30' BEND ± 2°		MFG APPR.	TCM -
DECIMALS .XX ± .01		Q.A.	EAS -
.XXX ± .005			
HOLE Ø .XX ± .005			
INTERPRET GEOMETRIC TOLERANCING PER: ASME Y14.5M			
MATERIAL		PERP STRAIGHTNESS	∓ .003/IN
		FLATNESS	∓ .005/IN
		THREADS:	
		EXTERNAL - CLASS 2A	
		INTERNAL - CLASS 2B	
FINISH		MACHINED SURFACES:	√ U.O.S
NEXT ASSY	USED ON		
APPLICATION	DO NOT SCALE DRAWING		

TITLE: ASSEMBLY, SELF CONTAINED, AIR COOLED, CHILLER UNIT, FM24CWAC, 230V

PART NO. **20167-001**

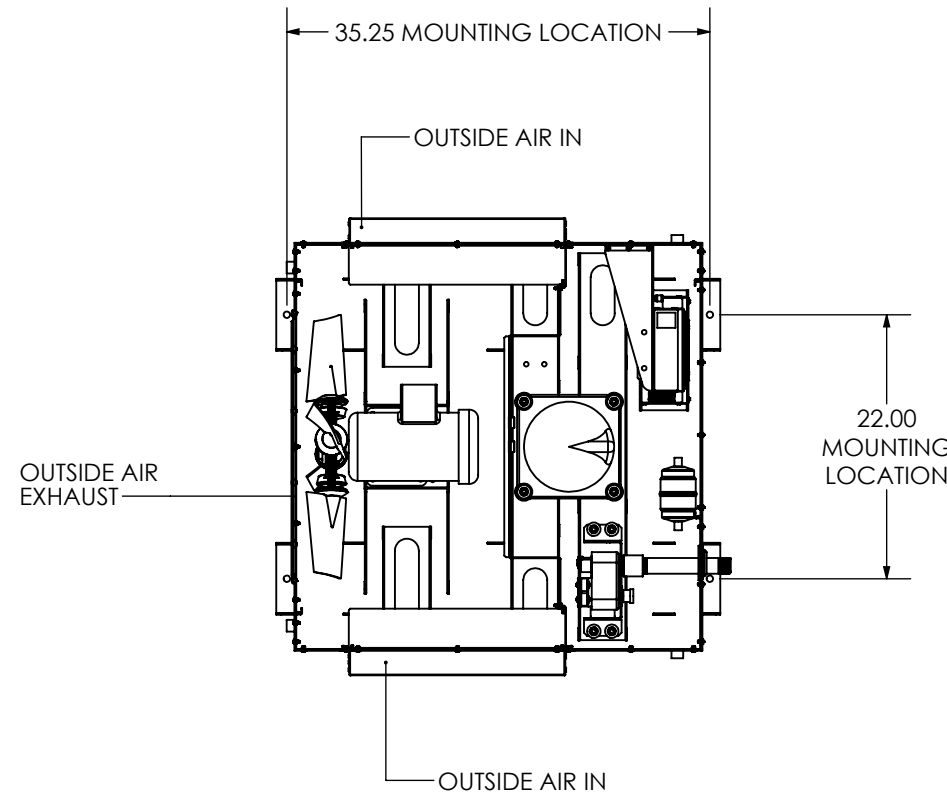
SIZE <b>B</b>	DWG. NO. <b>FM20167</b>	REV <b>05</b>
OLD PART NO. -		
SCALE: 1:16	WGT: 460.72 LBS	SHEET 1 OF 2

2. PREFERRED LIMITS AND FITS PER ANSI B4.1 (INCHES).  
1. DIMENSIONING & TOLERANCING PER ASME Y14.5M.  
NOTES:

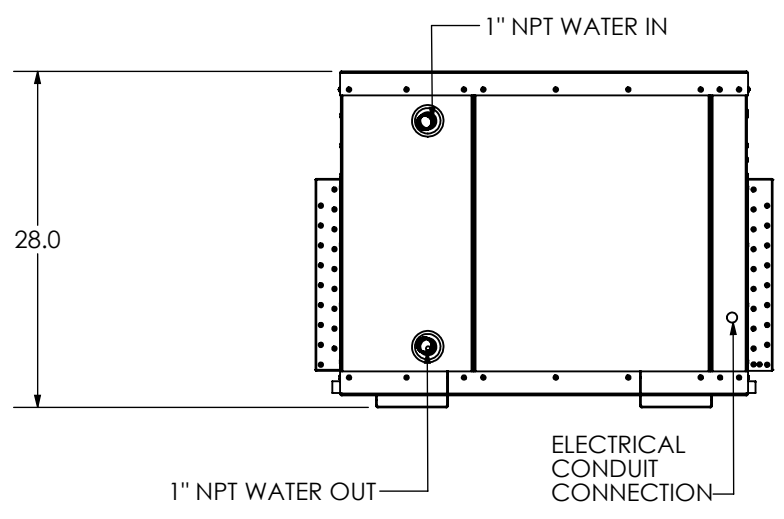
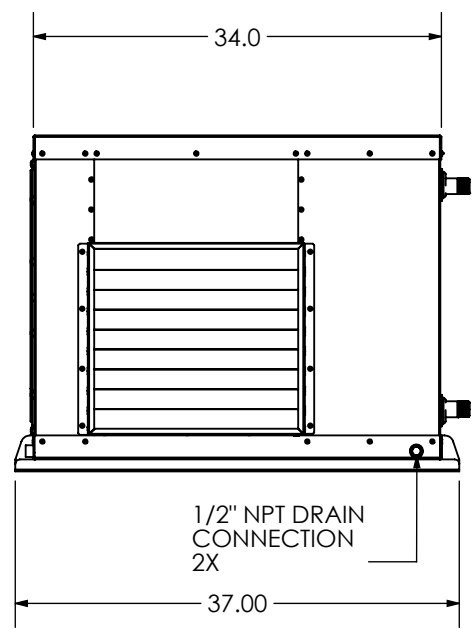
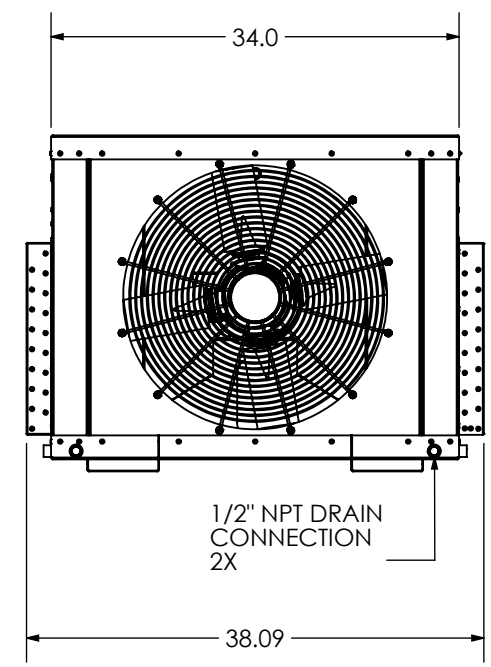
8 7 6 5 4 2 1


D  
C  
B  
A

D  
C  
B  
A



TOP VIEW  
WITH LID REMOVED FOR CLAIRITY



 2427 SE DIXIE HIGHWAY   STUART   FLORIDA   34996   USA (772) 283-1609   (800) 316-6426 FAX (772) 283-4611	DRAWN -	SIZE B	DRAWING NO. FM20167	REV 05
	CHECKED -	WGT: 460.72 LBS	SCALE: 1:16	SHEET 2 OF 2
	ENG APPR. -			

8 7 6 5 4 3 2 1