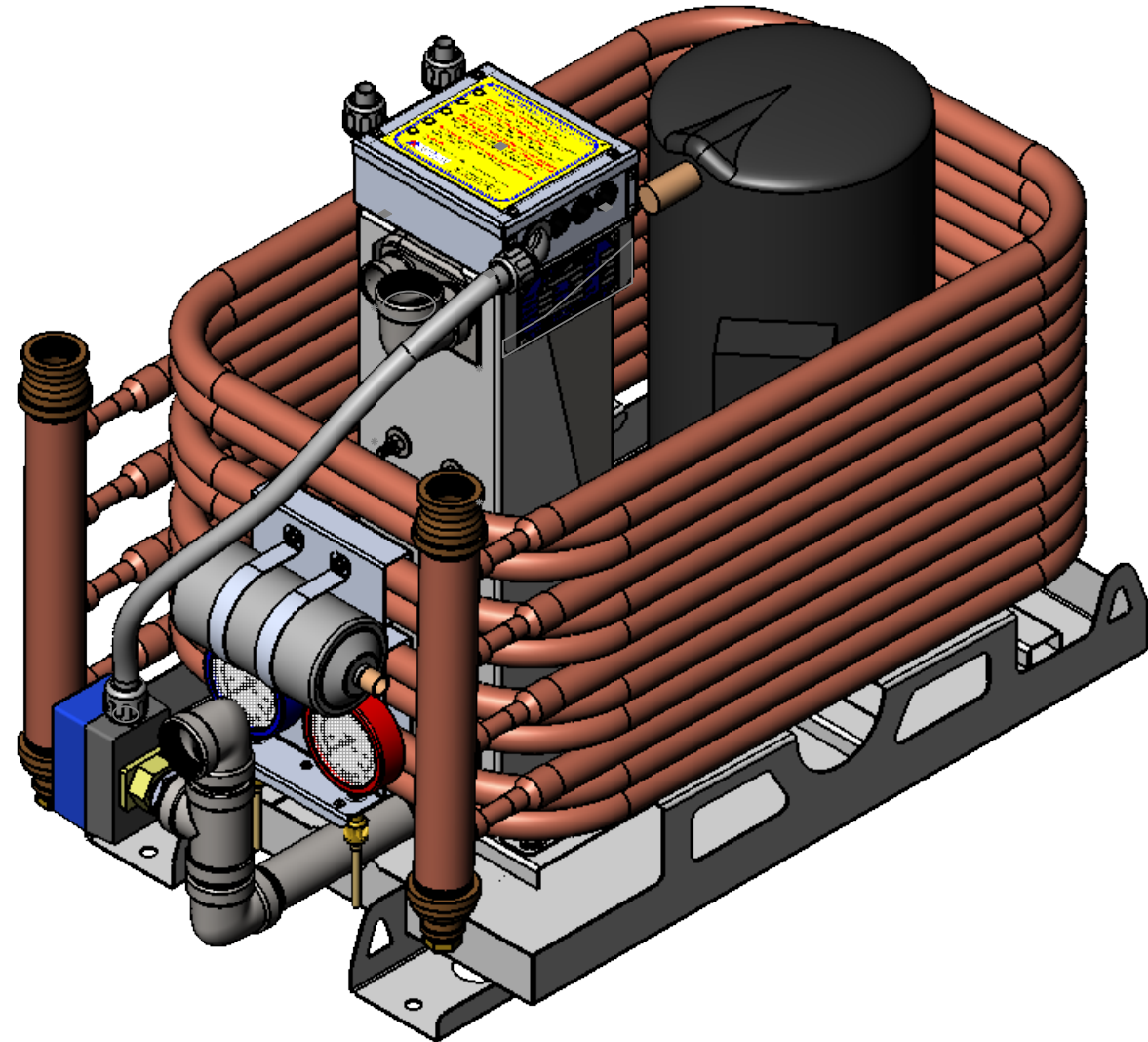


PART NUMBER	DESCRIPTION
20066-001	CHILLER, FM120CW, 230/3/60, 120,000 BTU, (COOL ONLY)
20066-002	CHILLER, FM120CW, 460/3/60, 120,000 BTU, (COOL ONLY)

FLAGSHIP MARINE, INC.				
REV.	ZONE	DESCRIPTION	DATE	ENG APPROVAL
D	-	ADDED ANODE TO MANIFOLDS	6/5/2018	-
E	-	ADDED MINERAL OIL TO BOM	9/6/2018	-
F	-	NEW CONFIGURATION	11/26/2018	-



ALL EQUIPMENT OPTIONS SHOWN FOR CLARITY
(GAUGES / MANIFOLDS / REVERSE CYCLE)

53	2	2	80279-002	WELDMENT, MANIFOLD, CuNi, (1) SET, 120K CHILLERS
52	1	1	80265-001	WELDMENT, BASE, CHILLER, FM96CW / FM120CW / FM180CW
51	1	1	71000-001	TAG, PLATE, SERIAL NUMBER, ANODIZED, ETCHED
50	1	1	70952-001	TAG, MINERAL OIL, ETCHED "COMPRESSOR FILLED WITH MINERAL OIL"
49	2	2	70710-001	FABRICATION, STRAP, FILTER DRIER, CHILLER, FM360CW
48	1	1	70665-001	FABRICATION, BRACKET, LIQUID GAUGE & FILTER DRIER, CHILLER, FM96CW - FM360CW
47	1	1	70664-002	FABRICATION, PANEL, LIQUID GAUGE & FILTER DRIER, CHILLER, FM180CW & FM360CW
46	1	1	70654-002	FABRICATION, BRACKET, EVAPORATOR, CHILLER, FM120CW
45	A/R	A/R	61000-001	INSULATION, 1/8" FOAM PEEL AND STICK
44	A/R	A/R	60998-001	TAPE, CORK ROLL, 30"x2"
43	1	1	60861-001	OIL, MINERAL, 1-GALLON
42	4	4	60850-001	SQUARE HEAD NYLON PUSH-IN NUT #8 THREAD
41	2	2	60839-001	COUPLING, REDUCING, 1 1/2 X 1 1/4, BRONZE
40	2	2	60838-001	COUPLING, REDUCING, 1 1/2 X 3/4, BRONZE
39	1	1	60829-001	FITTING, NIPPLE, 1-1/4 X 8, 304 SS
38	3	3	60824-001	ELBOW, 90 DEG, 1 1/4 FEMALE X 1 1/4 FEMALE, 150 PSI, 304 SS
37	1	1	60823-001	COUPLING, BANDED, 1-1/4, 304 SS
36	2	2	60820-001	NIPPLE, 1-1/4 X CLOSE, 304 SS
35	1	1	60809-001	PLUG, 1/2 SQ. HD. CORED, BRONZE
34	2	2	60722-001	ANODE, ZINC, 3/4" NPT, 3.5" L, 3606K9
33	4	4	60560-001	WASHER, 3/8" FINISH 18-8 SS
32	8	8	60539-001	NUT, 3/8-16 NYLON LOCK NUT 18-8 SS
31	4	4	60534-001	WASHER, 3/8 X 1 1/4 FENDER WASHER, 18-8 SS
30	6	6	60531-001	RIVET, 3/16" DIA. .126-.250" GRIP RANGE TS, SS
29	4	4	60526-001	NUT, #8-32 MACHINE SCREW NUT 18-8 SS
28	10	10	60517-001	SCREW, #8-32 X 3/8" PAN HEAD MACHINE SCREW, #2 DRIVE PHILLIPS, 18-8 SS
27	4	4	60511-001	WASHER, #8 X 7/16" OD SAE FLAT WASHER 18-8 SS
26	A/R	A/R	60329-001	REFRIGERANT, NU-22B
25	-	1	60271-001	COMPRESSOR, SCROLL, 460/3/60, ZR108, 108K BTU
24	1	-	60270-001	COMPRESSOR, SCROLL, 230/3/60, ZR108, 108K BTU
23	1	1	60206-001	EVAPORATOR, CHILLED WATER, FM120CW, 60 PL
22	1	1	60123-001	FILTER, FILTER/DRIER, 3/4" ODF, C306S
21	20	20	60070-001	WASHER, .385 ID X 1.406 OD X .25 THK, 60 DURO EPDM BLACK
20	2	2	60069-001	SWITCH, PRESSURE, OPEN (400) CLOSE (300)
19	1	1	60067-001	SWITCH, PRESSURE, OPEN (35) CLOSE (60)
18	1	1	40131-001	FITTING, TEMP SENSOR WELL, CTRL.
17	1	1	40121-001	GAUGE, LOW PRESSURE, NU22 (R22)
16	1	1	40120-001	GAUGE, HI PRESSURE, NU22 (R22)
15	1	1	40115-001	FITTING, TEE, 1-1/4, MNPT, 304 SS
14	1	1	40114-001	FITTING, BUSHING, 1-1/4" MNPT X 1" FNPT, 304 SS
13	2	2	40107-001	VALVE, ACTUATOR, 1/4" QC X 1/8" FPT, BRASS
12	7	7	40102-001	VALVE, 1/4" STANDARD SERVICE, CAP W/RUBBER O-RING
11	1	1	40090-001	VALVE, EXPANSION, BALANCED PORT, 10-TON, 5/8" X 7/8" ODF, R22
10	1	1	40030-001	LIQUID FLOW SWITCH, (1) SPDT, NEMA4, 1" - 8" PIPES
9	A/R	A/R	30230-001	LOOM, SPLIT-TYPE, BLUE TRACER, 1/2", 1100', M125-0120-A
8	A/R	A/R	30157-001	CONDUIT, LIQUID TIGHT, 1/2", GREY, NON-METALIC
7	1	1	30139-002	CONNECTOR, STRAIGHT PVC LIQUID-TIGHT, 1/2 NM TYPE B CONDUIT
6	3	3	30139-001	CONNECTOR, 90 DEGREE PVC LIQUID-TIGHT, 1/2 NM TYPE B CONDUIT
5	1	1	30032-003	WIRING, CHILLER, FM24CW- FM120CW, 230/460/3/60
4	1	1	20568-001	ASSEMBLY, BRACKET, HALF ROUND BAR, 3/4", FREEZE CONTROL MOUNTING
3	4	4	20159-001	CONDENSER, LIQUID COOLED, 96K-180K CHILLER APPLICATION
2	1	1	20014-001	MONITOR, CHILLER, FLAGSHIP MARINE
1	1	1	20012-002	ASSEMBLY, CONTROL BOX, CHILLER, SINGLE COMPRESSOR, 230-460/3/60, UNIVERSAL

Flagship Marine
 FLAGSHIP MARINE, INC.
 2427 SE DIXIE HIGHWAY
 STUART | FLORIDA | 34996 | USA
 (772) 283-1609 | (800) 316-6426
 FAX (772) 283-4611

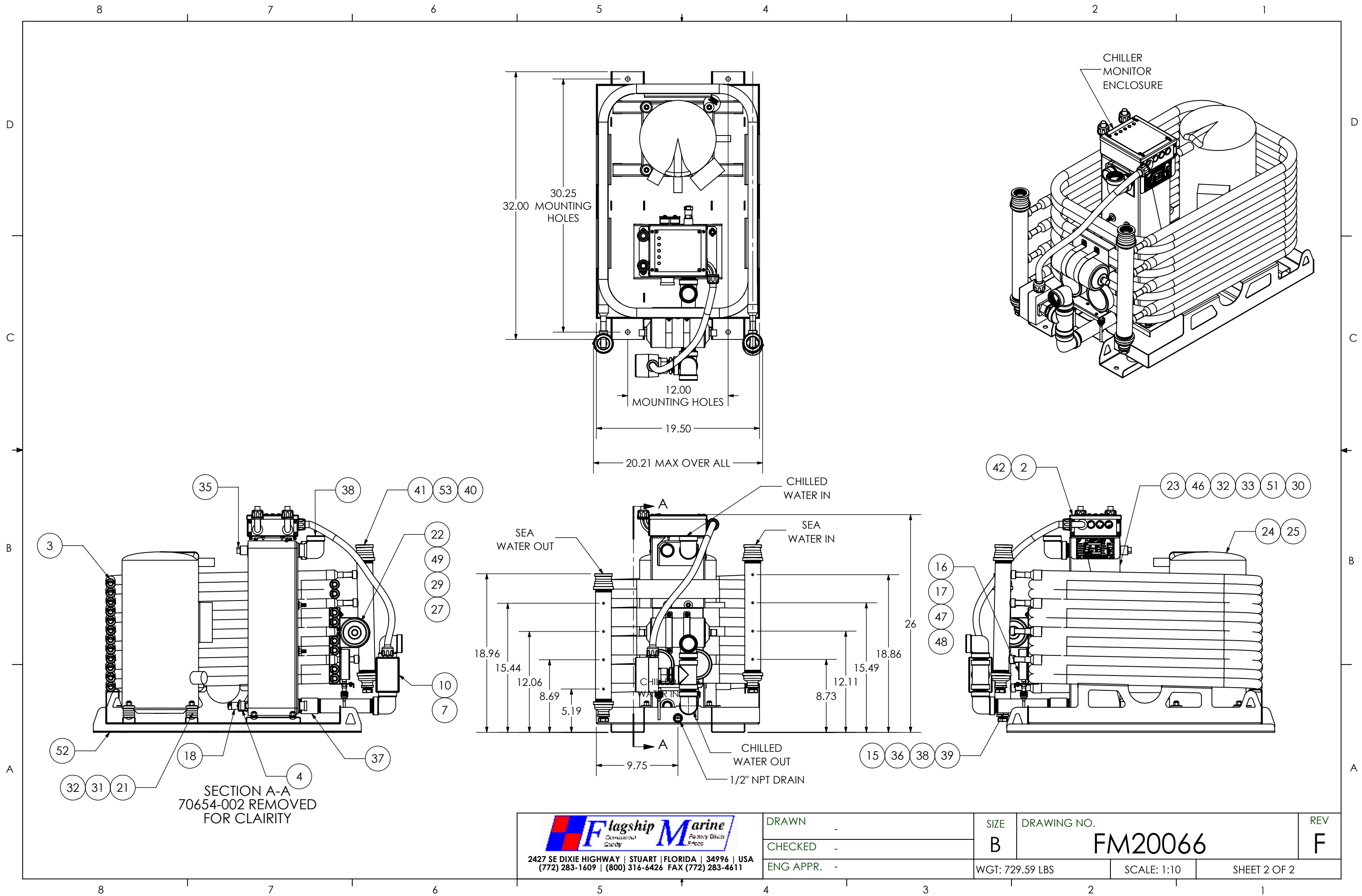
PROPRIETARY AND CONFIDENTIAL
 THIS DOCUMENT CONTAINS INFORMATION PROPRIETARY TO FLAGSHIP MARINE, INC. NO PART MAY BE REPRODUCED, USED IN ANY FORM, OR STORED ELECTRONICALLY WITHOUT THE WRITTEN PERMISSION OF FLAGSHIP MARINE, INC.

ITEM NO.	QTY	PART NO.	DESCRIPTION
-	-	-	UNLESS OTHERWISE SPECIFIED:
-	-	-	DIMENSIONS ARE IN INCHES
-	-	-	TOLERANCES:
-	-	-	FRACTIONS ± 1/32
-	-	-	ANG: MACH ± 0°30' BEND ± 2°
-	-	-	DECIMALS .XX ± .01
-	-	-	.XXX ± .005
-	-	-	HOLE Ø .XX ± .005
-	-	-	INTERPRET GEOMETRIC TOLERANCING PER: ASME Y14.5M
-	-	-	MATERIAL
-	-	-	FINISH
-	-	-	PERP STRAIGHTNESS .003/IN
-	-	-	FLATNESS .005/IN
-	-	-	THREADS: EXTERNAL - CLASS 2A
-	-	-	INTERNAL - CLASS 2B
-	-	-	MACHINED SURFACES: √ U.O.S
-	-	-	APPLICATION
-	-	-	DO NOT SCALE DRAWING

FLAGSHIP MARINE, INC. BILL OF MATERIALS

NAME	DATE	TITLE:
SWC	2/4/2011	ASSEMBLY, CHILLER, FM120CW
TCM	-	PART NO. 20066-0XX
TCM	-	SIZE DWG. NO. B FM20066
TCM	-	REV F
EAS	-	OLD PART NO. -
-	-	SCALE: 1:6 WGT: 729.59 LBS SHEET 1 OF 2

2. PREFERRED LIMITS AND FITS PER ANSI B4.1 (INCHES).
 1. DIMENSIONING & TOLERANCING PER ASME Y14.5M.
 NOTES:



Flagship Marine
COMMERCIAL QUALITY POWER DIESEL ENGINES

2427 SE DIXIE HIGHWAY | STUART | FLORIDA | 34996 | USA
 (772) 283-1609 | (800) 316-6426 FAX (772) 283-4611

DRAWN -	SIZE B	DRAWING NO. FM20066	REV F
CHECKED -	WGT: 729.59 LBS	SCALE: 1:10	SHEET 2 OF 2
ENG APPR. -			