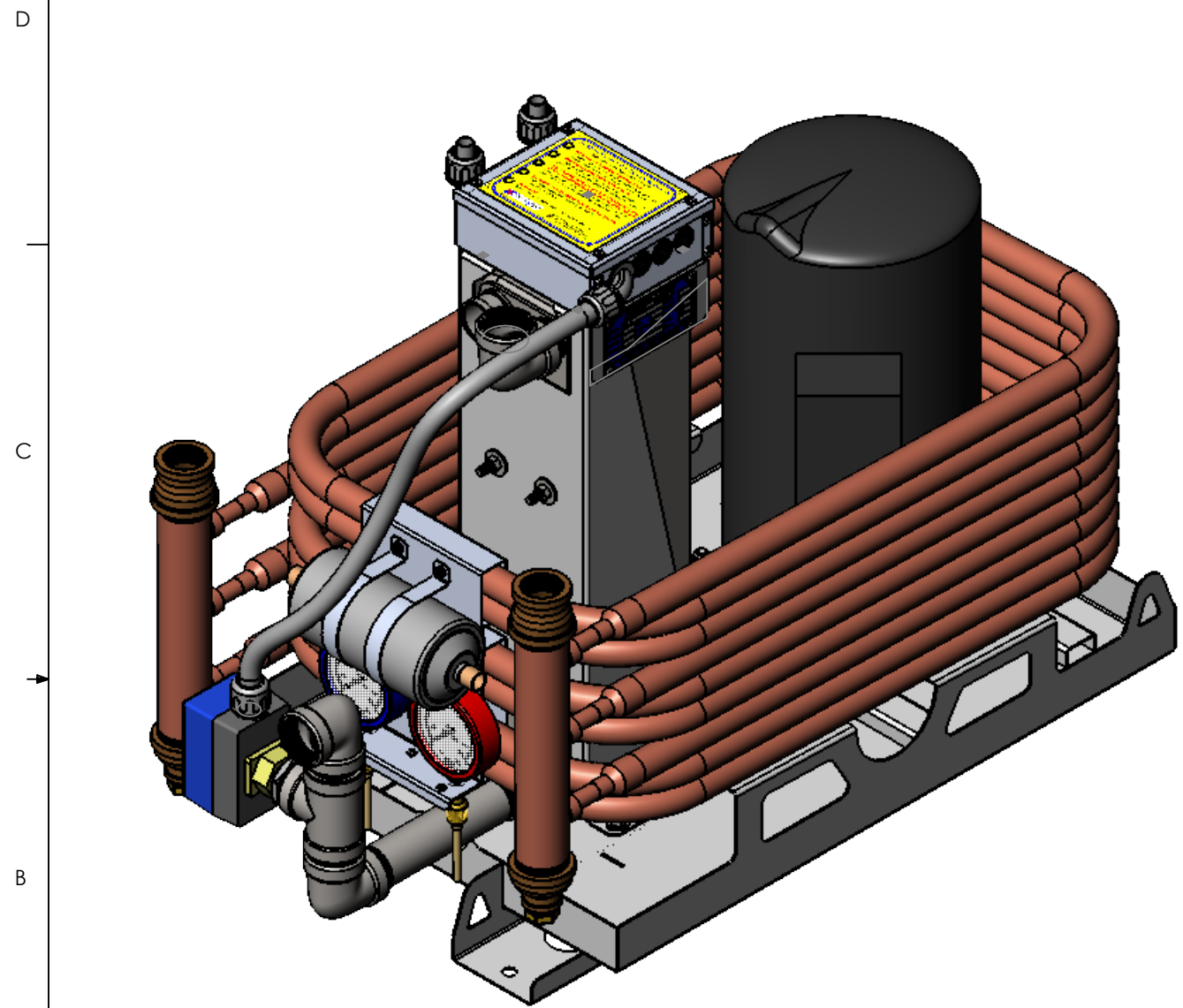


PART NUMBER	DESCRIPTION
20065-001	CHILLER, FM96CW, 230/3/60, 96K BTU, (COOL ONLY)
20065-002	CHILLER, FM96CW, 460/3/60, 96K BTU, (COOL ONLY)
20065-003	CHILLER, FM96CW, 460/3/60, 96K BTU, R410a, (COOL ONLY)

REVISIONS				
REV.	ZONE	DESCRIPTION	DATE	ENG APPROVAL
D	-	ADDED ANODE TO MANIFOLDS	6/5/2018	-
E	-	ADDED MINERAL OIL TO BOM	9/6/2018	-
F	-	NEW CONFIGURATIONS	11/21/2018	-



ALL EQUIPMENT OPTIONS SHOWN FOR CLARITY
(GAUGES / MANIFOLDS / REVERSE CYCLE)

60	2	2	2	80279-001	WELDMENT, MANIFOLD, CuNi, (1) SET, 96K CHILLERS
59	1	1	1	80265-001	WELDMENT, BASE, CHILLER, FM96CW / FM120CW / FM180CW
58	1	1	1	71000-001	TAG, PLATE, SERIAL NUMBER, ANODIZED, ETCHED
57	1	1	1	70952-001	TAG, MINERAL OIL, ETCHED "COMPRESSOR FILLED WITH MINERAL OIL"
56	2	2	2	70710-001	FABRICATION, STRAP, FILTER DRIER, CHILLER, FM360CW
55	1	1	1	70665-001	FABRICATION, BRACKET, LIQUID GAUGE & FILTER DRIER, CHILLER, FM96CW - FM360CW
54	1	1	1	70664-002	FABRICATION, PANEL, LIQUID GAUGE & FILTER DRIER, CHILLER, FM180CW & FM360CW
53	1	1	1	70654-002	FABRICATION, BRACKET, EVAPORATOR, CHILLER, FM120CW
52	A/R	1	1	61000-001	INSULATION, 1/8" FOAM PEEL AND STICK
51	A/R	1	1	60998-001	TAPE, CORK ROLL, 30"x2"
50	1	1	1	60861-001	OIL, MINERAL, 1-GALLON
49	4	4	4	60850-001	SQUARE HEAD NYLON PUSH-IN NUT #8 THREAD
48	2	2	2	60839-001	COUPLING, REDUCING, 1 1/2 X 1 1/4, BRONZE
47	2	2	2	60838-001	COUPLING, REDUCING, 1 1/2 X 3/4, BRONZE
46	1	1	1	60829-001	FITTING, NIPPLE, 1-1/4 X 8, 304 SS
45	3	3	3	60824-001	ELBOW, 90 DEG, 1 1/4 FEMALE X 1 1/4 FEMALE, 150 PSI, 304 SS
44	1	1	1	60823-001	COUPLING, BANDED, 1-1/4, 304 SS
43	2	2	2	60820-001	NIPPLE, 1-1/4 X CLOSE, 304 SS
42	1	1	1	60809-001	PLUG, 1/2 SQ. HD. CORED, BRONZE
41	2	2	2	60722-001	ANODE, ZINC, 3/4" NPT, 3.5" L, 3606K9
40	4	4	4	60560-001	WASHER, 3/8" FINISH 18-8 SS
39	8	8	8	60539-001	NUT, 3/8-16 NYLON LOCK NUT 18-8 SS
38	4	4	4	60534-001	WASHER, 3/8 X 1 1/4 FENDER WASHER, 18-8 SS
37	6	6	6	60531-001	RIVET, 3/16" DIA. .126-.250" GRIP RANGE TS, SS
36	4	4	4	60526-001	NUT, #8-32 MACHINE SCREW NUT 18-8 SS
35	10	10	10	60517-001	SCREW, #8-32 X 3/8" PAN HEAD MACHINE SCREW, #2 DRIVE PHILLIPS, 18-8 SS
34	4	4	4	60511-001	WASHER, #8 X 7/16" OD SAE FLAT WASHER 18-8 SS
33	-	-	A/R	60329-002	REFRIGERANT, R410a
32	A/R	A/R	-	60329-001	REFRIGERANT, NU-22B
31	-	-	1	60300-001	COMPRESSOR, SCROLL, 460/3/60, ZP83, 83K BTU, R410a
30	-	1	-	60268-001	COMPRESSOR, SCROLL, 460/3/60, ZR81, 82K BTU
29	1	-	-	60267-001	COMPRESSOR, SCROLL, 230/3/60, ZR81, 82K BTU
28	1	1	1	60201-001	EVAPORATOR, CHILLED WATER, 50PL, 8-TON, FM96CW
27	-	-	1	60160-002	PRESSURE GAUGE, LOW SIDE, BLUE, R410A SCALE, NRP N2007G
26	-	-	1	60160-001	PRESSURE GAUGE, HIGH SIDE, RED, R410A SCALE, NRP N2006G
25	-	-	1	60149-001	SWITCH, LOW PRESSURE, SPST, OPEN ON PRESSURE FAIL, OPEN (75 PSI) CLOSE (100 PSI)
24	-	-	2	60148-001	SWITCH, HIGH PRESSURE, SPST, OPEN ON PRESSURE RISE, OPEN (600 PSI) CLOSE (475 PSI)
23	1	1	1	60123-001	FILTER, FILTER/DRIER, 3/4" ODF, C306S
22	20	20	20	60070-001	WASHER, .385 ID X 1.406 OD X .25 THK, 60 DURO EPDM BLACK
21	2	2	-	60069-001	SWITCH, PRESSURE, OPEN (400) CLOSE (300)
20	1	1	-	60067-001	SWITCH, PRESSURE, OPEN (35) CLOSE (60)
19	1	1	1	40131-001	FITTING, TEMP SENSOR WELL, CTRL
18	1	1	-	40121-001	GAUGE, LOW PRESSURE, NU22 (R22)
17	1	1	-	40120-001	GAUGE, HI PRESSURE, NU22 (R22)
16	1	1	1	40115-001	FITTING, TEE, 1-1/4, MNPT, 304 SS
15	1	1	1	40114-001	FITTING, BUSHING, 1-1/4" MNPT X 1" FNPT, 304 SS
14	2	2	2	40107-001	VALVE, ACTUATOR, 1/4" QC X 1/8" FPT, BRASS
13	7	7	7	40102-001	VALVE, 1/4" STANDARD SERVICE, CAP W/RUBBER O-RING
12	1	1	-	40091-001	VALVE, EXPANSION, BALANCED PORT, 8-TON, R22
11	-	-	1	40089-001	VALVE, EXPANSION, BALANCED PORT, 8-TON, R410a, ERZE8GA
10	1	1	1	40030-001	LIQUID FLOW SWITCH, (1)SPDT, NEMA4, 1" - 8" PIPES
9	A/R	1	1	30230-001	LOOM, SPLIT-TYPE, BLUE TRACER, 1/2", 1100', M125-0120-A
8	A/R	1	1	30157-001	CONDUIT, LIQUID TIGHT, 1/2", GREY, NON-METALIC
7	1	1	1	30139-002	CONNECTOR, STRAIGHT PVC LIQUID-TIGHT, 1/2 NM TYPE B CONDUIT
6	3	3	3	30139-001	CONNECTOR, 90 DEGREE PVC LIQUID-TIGHT, 1/2 NM TYPE B CONDUIT
5	1	1	1	30032-003	WIRING, CHILLER, FM24CW- FM120CW, 230/460/3/60
4	1	1	1	20568-001	ASSEMBLY, BRACKET, HALF ROUND BAR, 3/4", FREEZE CONTROL MOUNTING
3	3	3	3	20159-001	CONDENSER, LIQUID COOLED, 96K-180K CHILLER APPLICATION
2	1	1	1	20014-001	MONITOR, CHILLER, FLAGSHIP MARINE
1	1	1	1	20012-002	ASSEMBLY, CONTROL BOX, CHILLER, SINGLE COMPRESSOR, 230-460/3/60, UNIVERSAL

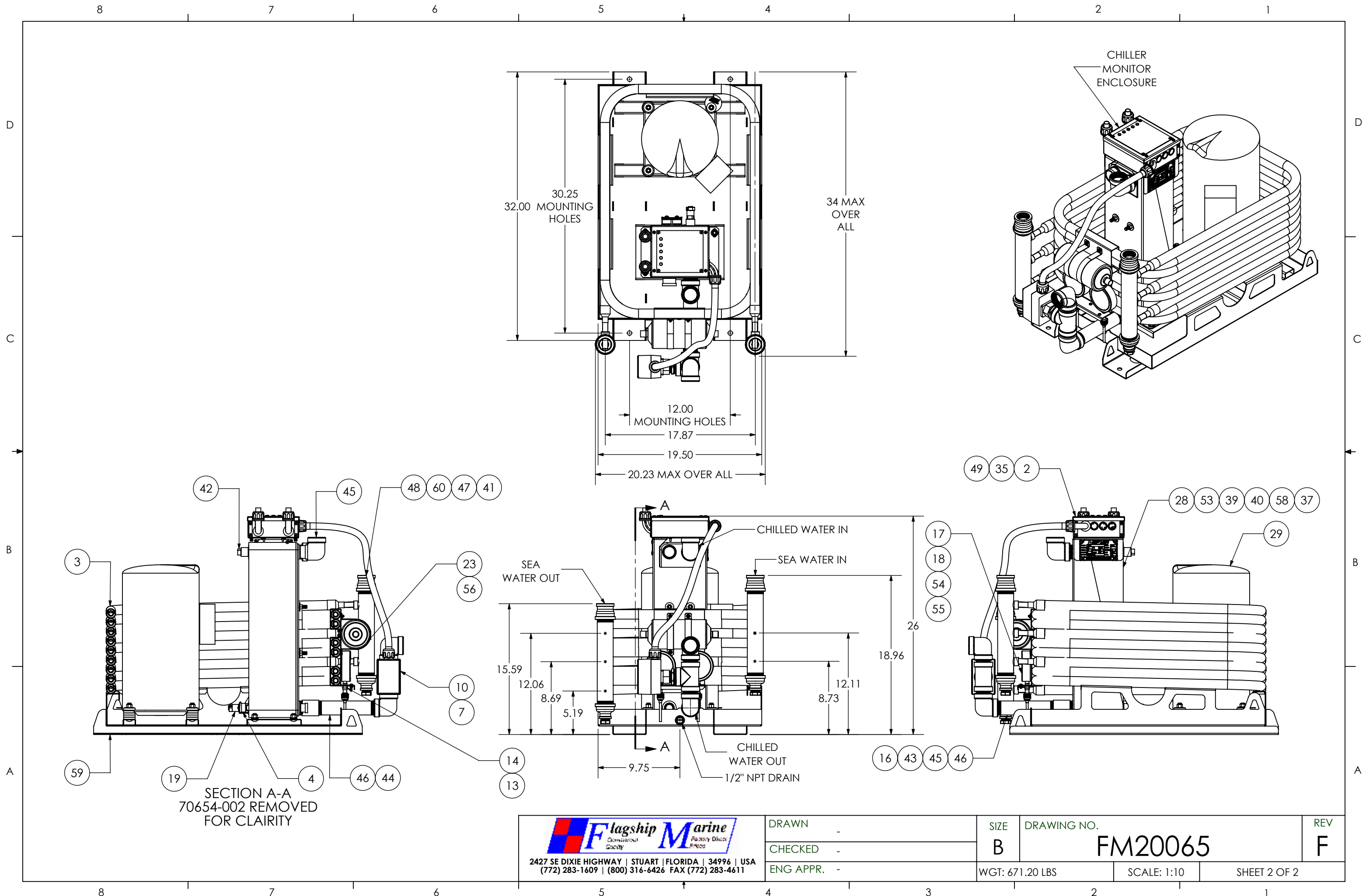
ITEM NO.	001 QTY	002 QTY	003 QTY	PART NUMBER	DESCRIPTION
FLAGSHIP MARINE, INC. BILL OF MATERIALS					
UNLESS OTHERWISE SPECIFIED:					
DIMENSIONS ARE IN INCHES					
TOLERANCES:					
FRACTIONS ± 1/32					
ANG: MACH ± 0°30' BEND ± 2°					
DECIMALS .XX ± .01					
.XXX ± .005					
HOLE Ø .XX ± .005					
INTERPRET GEOMETRIC TOLERANCING PER: ASME Y14.5M					
MATERIAL					
FINISH					
NEXT ASSY USED ON					
APPLICATION DO NOT SCALE DRAWING					
			NAME	DATE	TITLE:
			DRAWN	SWC	2/4/2011
			CHECKED	TCM	-
			ENG APPR.	TCM	-
			MFG APPR.	TCM	-
			Q.A.	EAS	-
			PERP	±	.003/IN
			STRAIGHTNESS	—	.005/IN
			FLATNESS	≡	.005/IN
			THREADS:		
			EXTERNAL - CLASS 2A		
			INTERNAL - CLASS 2B		
			MACHINED SURFACES:	√	U.O.S
			SIZE	DWG. NO.	REV
			B	FM20065	F
			OLD PART NO.	-	
			SCALE: 1:6	WGT: 671.20 LBS	SHEET 1 OF 2

Flagship Marine
 FLAGSHIP MARINE, INC.
 2427 SE DIXIE HIGHWAY
 STUART | FLORIDA | 34996 | USA
 (772) 283-1609 | (800) 316-6426
 FAX (772) 283-4611

PROPRIETARY AND CONFIDENTIAL

THIS DOCUMENT CONTAINS INFORMATION PROPRIETARY TO FLAGSHIP MARINE, INC. NO PART MAY BE REPRODUCED, USED IN ANY FORM, OR STORED ELECTRONICALLY WITHOUT THE WRITTEN PERMISSION OF FLAGSHIP MARINE, INC.

NOTES:
 2. PREFERRED LIMITS AND FITS PER ANSI B4.1 (INCHES).
 1. DIMENSIONING & TOLERANCING PER ASME Y14.5M.



Flagship Marine
COMMERCIAL QUALITY FOR YACHTS FOR BOATS
 2427 SE DIXIE HIGHWAY | STUART | FLORIDA | 34996 | USA
 (772) 283-1609 | (800) 316-6426 FAX (772) 283-4611

DRAWN -
 CHECKED -
 ENG APPR. -

SIZE **B**

DRAWING NO. **FM20065**

REV **F**

WGT: 671.20 LBS SCALE: 1:10 SHEET 2 OF 2