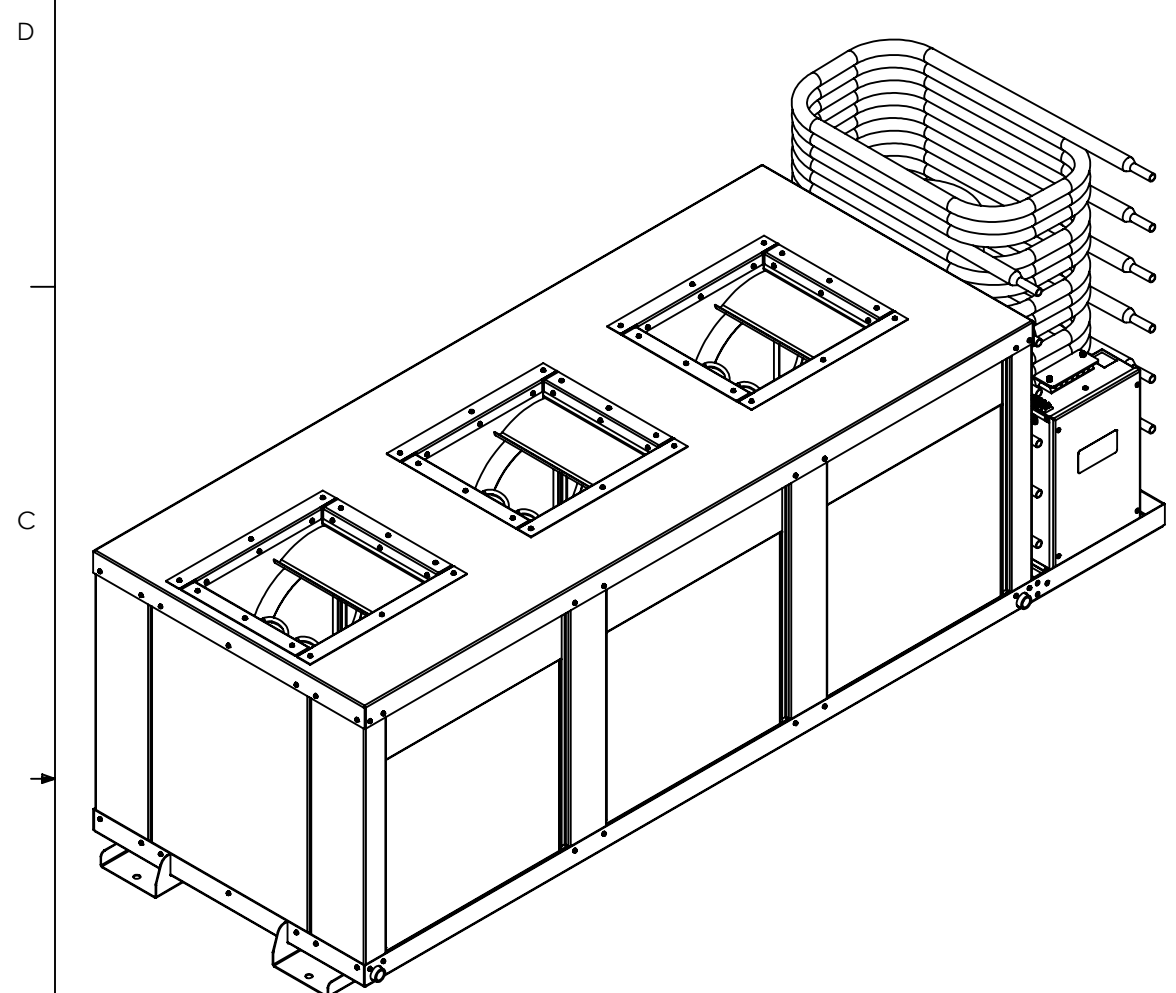


PART NUMBER	DESCRIPTION	FLAGSHIP MARINE, INC.				
		REV.	ZONE	DESCRIPTION	DATE	ENG APPROVAL
20054-001	ASSEMBLY, AIR CONDITIONER FMAC180S-H, 85.50L X 28W X 33.25H, 230V TOP					
20054-011	ASSEMBLY, AIR CONDITIONER FMAC180S-H, 85.50L X 28W X 33.25H, 230V TOP, WITH OPTIONAL HEAT					



**20054-011 SHOWN
SEE SHEET 2 OF 2 FOR DIMENSIONS**

34	ZR144KC-TF-5950	COMPRESSOR, 3PH, 60 Hz, 230V	1	1
33	Selected Wide FW 0.375		4	4
32	Regular LW 0.375		4	4
31	HNUT 0.3750-16-D-N		4	4
30	80054-003	WELDMENT, LID, AIR CONDITIONER, FMAC180S-H	1	1
29	80053-003	WELDMENT, DRAIN PAN, EVAPORATOR, FMAC60S-H	2	2
28	80052-003	WELDMENT, BASE, AIR CONDITIONER, FM180S-H	1	1
27	70169-001	FABRICATION, LID, ENCLOSURE, HEATER COIL, AIR CONDITIONER, FM48S - FM180S	-	3
26	70168-001	FABRICATION, ENCLOSURE, HEATER COIL, AIR CONDITIONER, FM48S - FM180S	-	3
25	70081-001	FABRICATION, BRACKET, BLOWER, AIR CONDITIONER, FM48S/60S/72S/96S/120S/180S-H	6	6
24	70079-001	FABRICATION, PANEL, CLOSE OUT, AIR CONDITIONER, FMAC60S-H	6	6
23	70078-001	FABRICATION, PANEL, ACCESS, AIR CONDITIONER, FMAC60S-H	2	2
22	70077-002	FABRICATION, PANEL, BIFECTOR, AIR CONDITIONER, FM60S/72S/120S/180S-H	4	4
21	70075-001	FABRICATION, BRACKET, WATER COIL, FM48S/60S/120S/180S-H	1	1
20	70073-012	FABRICATION, PANEL, CORNER, AIR CONDITIONER, FM48S/60S/120S/180S-H	1	1
19	70073-004	FABRICATION, PANEL, CORNER, AIR CONDITIONER, FM48S/60S/120S/180S-H	1	-
18	70073-003	FABRICATION, PANEL, CORNER, AIR CONDITIONER, FM48S/60S/120S/180S-H	2	-
17	70073-002	FABRICATION, PANEL, CORNER, AIR CONDITIONER, FM48S/60S/120S/180S-H	-	1
16	70073-001	FABRICATION, PANEL, CORNER, AIR CONDITIONER, FM48S/60S/120S/180S-H	-	2
15	70067-101	FABRICATION, BRACKET, BLOWER 1XJY2, AIR HANDLER	6	6
14	70067-001	FABRICATION, BRACKET, BLOWER 1XJY2, AIR HANDLER	6	6
13	60216-001	EVAPORATOR, 36000 MBTU, 17.50HX18.13W, 3 ROW	6	6
12	60131-001	GROMMET, 11/16" PUSH-IN LOCKING, NYLON	3	6
11	60071-001	STANDOFF, .385 ID X 1.406 OD X 1.00 THK, 70 DURO EPDM BLACK	4	4
10	60070-001	WASHER, .385 ID X 1.406 OD X .25 THK, 60 DURO EPDM BLACK	4	4
9	60062-001	THERMAL LIMIT SWITCH, 130 DEGREE	-	3
8	60060-001	THERMAL LIMIT SWITCH, 110 DEGREE	-	6
7	60035-001	HEATER ELEMENT, COIL, 74"L, 8MM, 4000W, 230VAC, DBL END THRD BULKHEAD	-	6
6	60014-001	BLOWER, PSC, FORWARD CURVE, DIRECT DRIVE, WHEEL DIA 13"	3	3
5	50011-001	FABRICATION, TUBING, AIR CONDITIONER, FM60S-H	6	6
4	20016-001	ASSEMBLY, CONTROL BOX, SELF CONTAINED, A/C, 48K-120K UNIVERSAL	1	1
3	1131943	#8-18 X 1/2" HWH #3 PT SELF DRILLING SCREW, 410 SS	168	198
2	72396	#8-32 x 3/8" PHMS 18-8 SS	-	12
1	41424	RIVET 3/16" DIA .062-.125" GRIP RANGE, SSB62S STAINLESS	47	47

ITEM NO.	PART NUMBER	DESCRIPTION	20054-001/QTY.	20054-011/QTY.
----------	-------------	-------------	----------------	----------------

FLAGSHIP MARINE, INC. BILL OF MATERIALS

FLAGSHIP MARINE, INC.
2427 SE DIXIE HIGHWAY
STUART | FLORIDA | 34996 | USA
(772) 283-1609 | (800) 319-6426
FAX (772) 283-4611

PROPRIETARY AND CONFIDENTIAL

THIS DOCUMENT CONTAINS INFORMATION PROPRIETARY TO FLAGSHIP MARINE, INC. NO PART MAY BE REPRODUCED, USED IN ANY FORM, OR STORED ELECTRONICALLY WITHOUT THE WRITTEN PERMISSION OF FLAGSHIP MARINE, INC.

UNLESS OTHERWISE SPECIFIED:	NAME	DATE
DIMENSIONS ARE IN INCHES	DRAWN	SWC 5/7/2009
TOLERANCES:	CHECKED	TCM -
FRACTIONS ± 1/32	ENG APPR.	TCM -
ANG: MACH ± 0°30' BEND ± 2°	MFG APPR.	TCM -
DECIMALS .XX ± .01	Q.A.	EAS -
.XXX ± .005		
HOLE Ø .XX ± .005		
INTERPRET GEOMETRIC TOLERANCING PER: ASME Y14.5M		
MATERIAL	PERP	± .003/IN
	STRAIGHTNESS	± .005/IN
	FLATNESS	± .005/IN
	THREADS:	
	EXTERNAL - CLASS 2A	
	INTERNAL - CLASS 2B	
FINISH	MACHINED SURFACES:	✓ U.O.S
NEXT ASSY		
USED ON		
APPLICATION		DO NOT SCALE DRAWING

TITLE: ASSEMBLY, AIR CONDITIONER FMAC180S-H, 85.50L X 28W X 33.25H

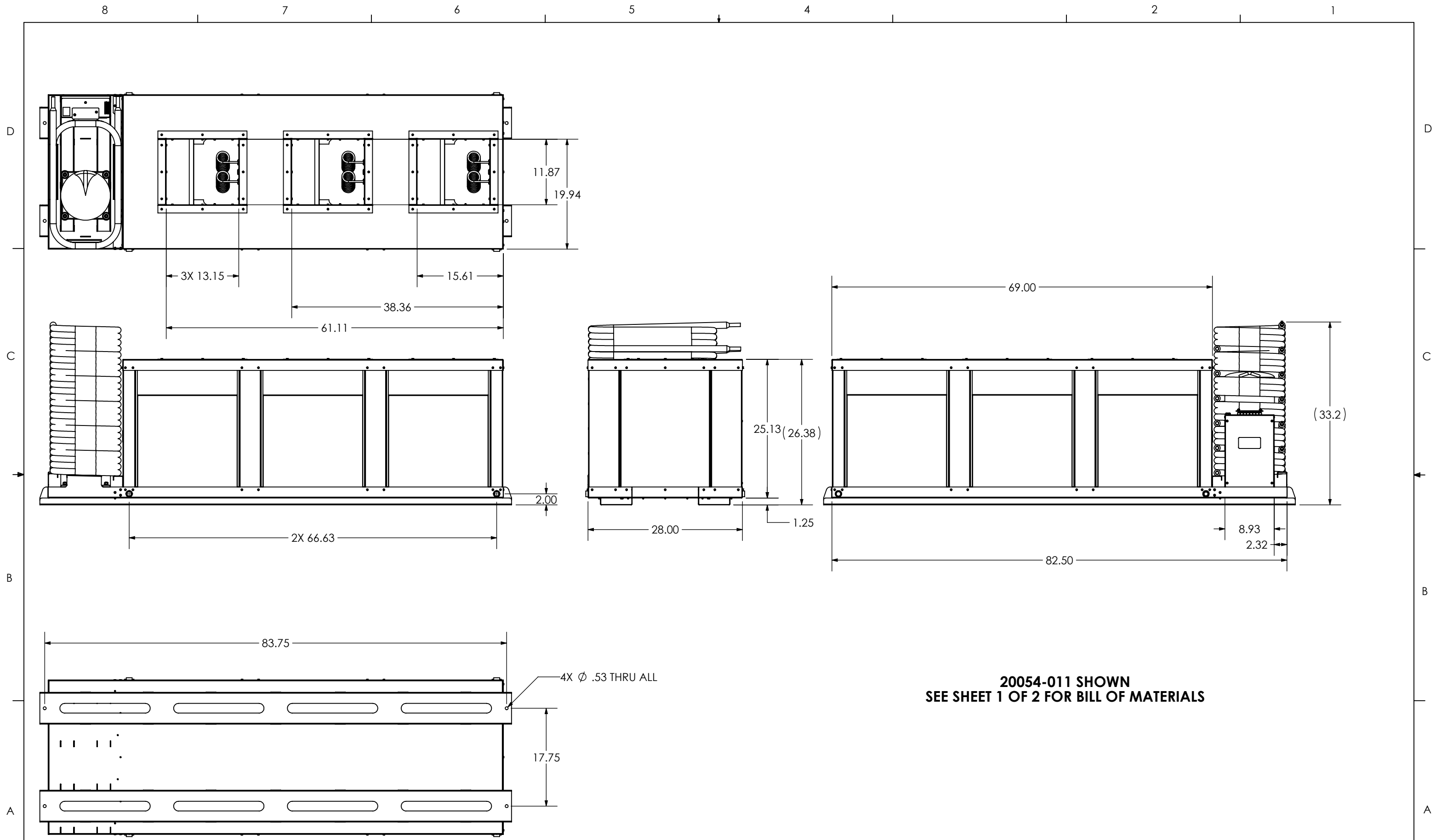
PART NO. **20054-0XX**

SIZE DWG. NO. **B FM20054** REV **-**

OLD PART NO. -

SCALE: 1:14 | WGT: 1257.01 LB | SHEET 1 OF 2

- NOTES:
- NO SHARP EDGES PERMITTED.
 - PREFERRED LIMITS AND FITS PER ANSI B4.1 (INCHES).
 - DIMENSIONING & TOLERANCING PER ASME Y14.5M.



20054-011 SHOWN
SEE SHEET 1 OF 2 FOR BILL OF MATERIALS

2427 SE DIXIE HIGHWAY STUART FLORIDA 34996 USA (772) 283-1609 (800) 319-6426 FAX (772) 283-4611	DRAWN -	SIZE B	DRAWING NO. FM20054	REV -
	CHECKED -			
	ENG APPR. -	WGT: 1257.01 LBS	SCALE: 1:16	SHEET 2 OF 2