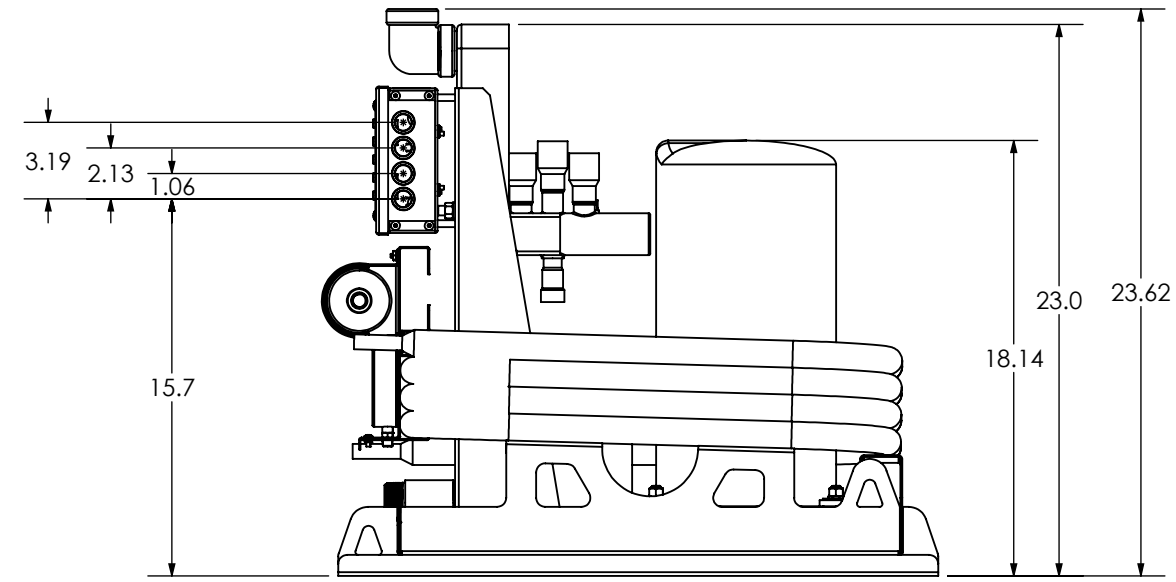
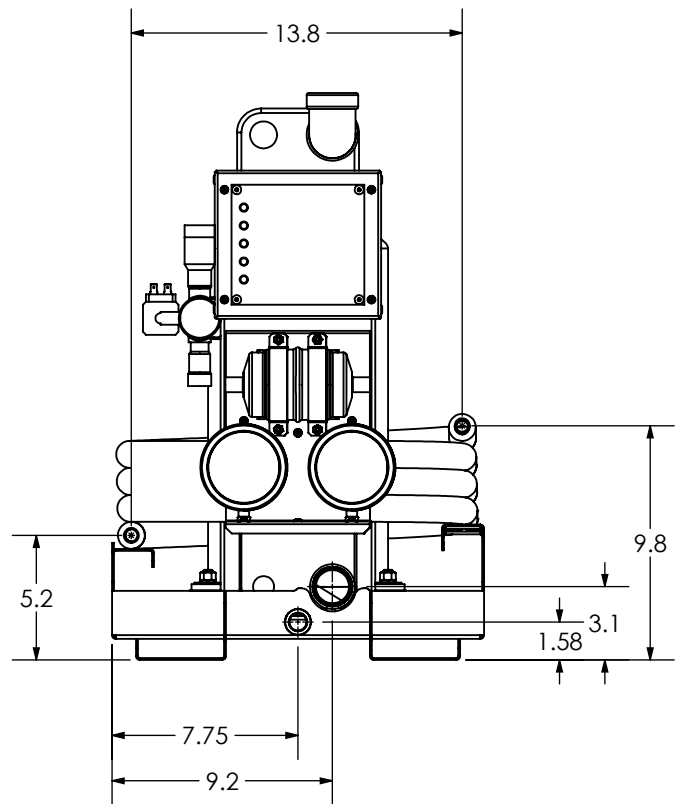
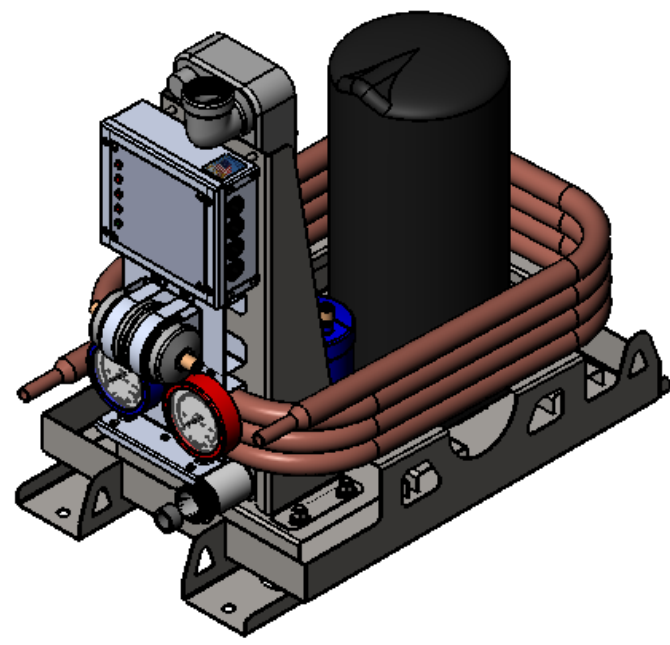
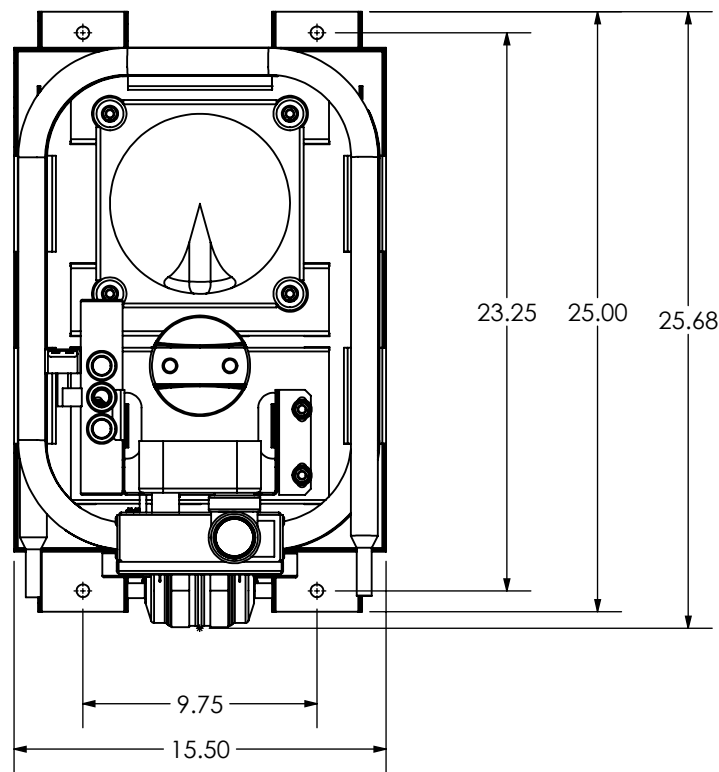


FLAGSHIP MARINE, INC.				
REV.	ZONE	DESCRIPTION	DATE	ENG APPROVAL



2. PREFERRED LIMITS AND FITS PER ANSI B4.1 (INCHES).  
 1. DIMENSIONING & TOLERANCING PER ASME Y14.5M.

NOTES:

**Flagship Marine**  
 Components  
 Quality Direct  
 Global

**FLAGSHIP MARINE, INC.**  
 2427 SE DIXIE HIGHWAY  
 STUART | FLORIDA | 34996 | USA  
 (772) 283-1609 | (800) 316-6426  
 FAX (772) 283-4611

**PROPRIETARY AND CONFIDENTIAL**  
 THIS DOCUMENT CONTAINS INFORMATION PROPRIETARY TO FLAGSHIP MARINE, INC. NO PART MAY BE REPRODUCED, USED IN ANY FORM, OR STORED ELECTRONICALLY WITHOUT THE WRITTEN PERMISSION OF FLAGSHIP MARINE, INC.

UNLESS OTHERWISE SPECIFIED:		NAME	DATE
DIMENSIONS ARE IN INCHES		DRAWN	SWC 2/4/2011
TOLERANCES:		CHECKED	TCM -
FRACTIONS ± 1/32		ENG APPR.	TCM -
ANG: MACH ± 0°30' BEND ± 2°		MFG APPR.	TCM -
DECIMALS .XX ± .01		Q.A.	EAS -
.XXX ± .005		PERP STRAIGHTNESS ± .003/IN	
HOLE Ø .XX ± .005		FLATNESS ± .005/IN	
INTERPRET GEOMETRIC TOLERANCING PER: ASME Y14.5M		THREADS:	
MATERIAL		EXTERNAL - CLASS 2A	
FINISH		INTERNAL - CLASS 2B	
NEXT ASSY	USED ON	MACHINED SURFACES: ✓ U.O.S	
APPLICATION		DO NOT SCALE DRAWING	

TITLE: ASSEMBLY, CHILLER, FM24CW, 25L X 15.50W X 23H		
PART NO. 20061-001		
SIZE	DWG. NO.	REV
<b>B</b>	<b>FM20061</b>	-
OLD PART NO. -		
SCALE: 1:8	WGT: 249.43 LBS	SHEET 1 OF 1